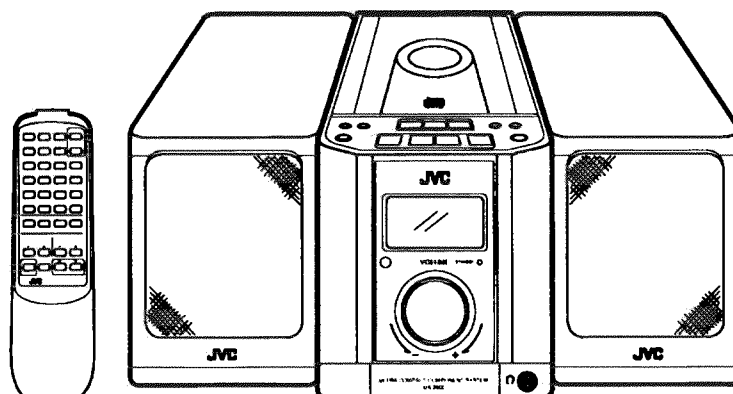


JVC

SERVICE MANUAL

ULTRA MICRO COMPONENT SYSTEM

FS-1000GR C/J



COMPACT
disc
DIGITAL AUDIO

Area Suffix

C.....Canada
J.....U.S.A.

■ This Service manual have not Instructions and Troubleshooting. These item should be used in conjunction with service manual for FS-2000GD C/J(Issue No.10012)

Contents

1.Safety Precautions.....	Page 2	6.Standard Schematic Diagram.....	16
2.Safety Precaution about FS-1000GR.....	3	7.Location of P.C.Board Parts.....	21
3.Removal of Main parts.....	5	8.Analytic Drawing and Parts List.....	24
4.Main Adjustment.....	11	9.Electrical Parts.....	28
5.Wiring Connections.....	15	10.Packing.....	36

1. Safety Precautions

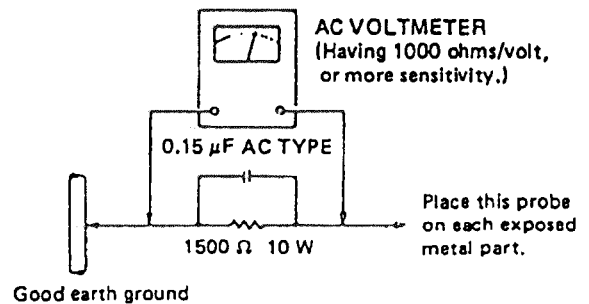
1. The design this product contains special hardware and many circuits and components specially for safety purposes. For continued protection, no changes should be made to the original design unless authorized in writing by the manufacturer. Replacement parts must be identical to those used in the original circuits. Service should be performed by qualified personnel only.
2. Alterations of the design or circuitry of the product should not be made. Any design alterations of the product should not be made. Any design alterations or additions will void the manufacture's warranty and will further relieve the manufacture of responsibility for personal injury or property damage resulting therefrom.
3. Many electrical and mechanical parts in the product have special safety - related characteristics. These characteristics are often not evident from visual inspection nor can the protection afforded by them necessarily be obtained by using replacement components rated for higher voltage, wattage, etc. Replacement parts which have these special safety characteristics are identified in the parts list of service manual. Electrical components having such features are identified by (\triangle) on the schematic diagram and parts list in the service manual. The use of a substitute replacement which does not have the same safety characteristics as the recommended replacement part shown in the parts list of service manual may create shock, fire, or other hazards.
4. The leads in the products are routed and dressed with ties, clamps , tubings, barriers and the like to be separated from live parts, high temperature parts, mpving parts and or sharp edges for the prevention of electric shock and fire hazard. When service is required, the original lead routing and dress should be observed, and it should be confirmed that they have been returned to normal, after reassembling.
5. Leakage current check (Electrical shock hazard testing)

After re - assembling the product, always perform an isolation check on the exposed metal parts of the product (antenna terminals, knobs, metal cabinet, screw heads, headphone jack, control shafts, etc.) to be sure the product is safe to operate without danger of electrical shock. Do not use a line isolation transformer during this check.

- Plug the AC line cord directly into the AC outlet. using a "Leakage current tester", measure the leakage current from each exposed metal part of the cabinet, particularly any exposed metal part having a return path to the chassis, to a known good earth ground. Any leakage current must not exposeed 0.5mA AC(r.m.s.)

- Alternate check method

Plug the AC line cord directly into the AC outlet. Use an AC voltmeter having 1,000 ohms per volt or more sensitivity in the following manner. Connect a 1,500 ohms 10W resistor paralleled by a 0.15 μ F AC type capacitor between an exposed metal part and a known good earth ground. Measure the AC voltage across the resistor with the AC voltmeter. Move the resistor connection to each exposed metal part, particularly any exposed metal part having a return path to the chassis, and measure the AC voltage across the resistor. Now, reverse the plug in the AC outlet and repeat each measurement. Any voltage measured



CAUTION

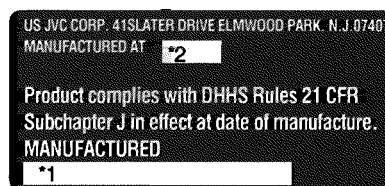
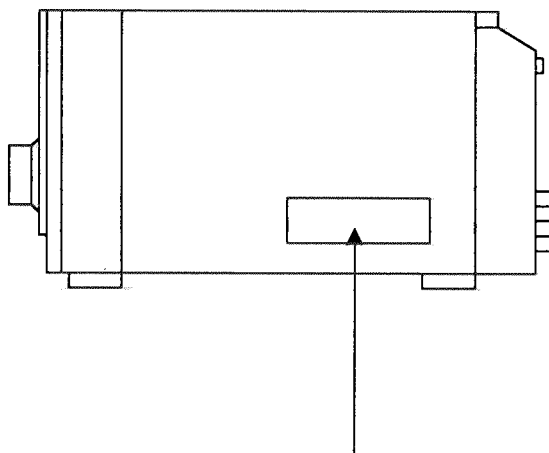
Burrs formed during molding may be left over on some parts of the chassis. Therefore, pay attention to such burrs in the case of preforming repair of this system.

2.Safety Precaution about FS-1000GR

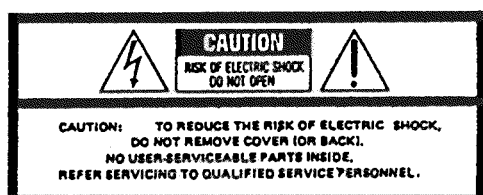
IMPORTANT FOR LASER PRODUCTS PRECAUTIONS (USA only).

1. CLASS 1 LASER PRODUCT
2. **DANGER:** Invisible laser radiation when open and interlock failed or defeated. Avoid direct exposure to beam.
3. **CAUTION:** Do not open the rear cover. There are no user serviceable parts inside the unit; leave all servicing to qualified service personnel.
4. **CAUTION:** The compact disc player uses invisible laser radiation and is equipped with safety switches which prevent the emission of radiation when the CD holder is open. It is dangerous to defeat the safety switches.
5. **CAUTION:** Use of controls for adjustments and the performance of procedures other than those specified herein may result in exposure to hazardous radiation.
6. **CAUTION:** The laser is able to function, if safety switches out of function. The laser light is invisible, avoid exposure, do not disassemble the laser unit, but replace the complete unit.

IDENTIFICATION LABEL AND CERTIFICATION LABEL



- Notes:**
- * 1 The date of manufacture.
 - * 2 The ID code of manufacturing plant.



The lightning flash with arrowhead symbol, within an equilateral triangle, is intended to alert the user to the presence of uninsulated "dangerous voltage" within the product's enclosure that may be of sufficient magnitude to constitute a risk of electric shock to persons.



The exclamation point within an equilateral triangle is intended to alert the user to the presence of important operating and maintenance (servicing) instructions in the literature accompanying the appliance.

■ Important management points regarding safety (Item demanding special safety precautions)

1. Power transformer marking : BD21A1 – 0022

The torque of the screw driver for the power transformer must be controlled.

2. Concerning the AC socket, the next marking must be confirmed and to avoid print circuit board pattern damage.

The AC socket must not float from print circuit board.

•Marking HJC027A

3. Concerning the primary terminal and the adjacent secondary terminal on the print circuit board to provide proper creeping and spatial distance, solder must not protrude from soldering round.

4. Before installation confirm the fuse capacity indication, "UL" or "CSA" mark on the holder.

REF.NO	Capacity and mark	Indication on P.C.board	Version
F901	800mA/250V	800mA/250V	C/J
F902	6.3A/125V	6.3A/125V	C/J

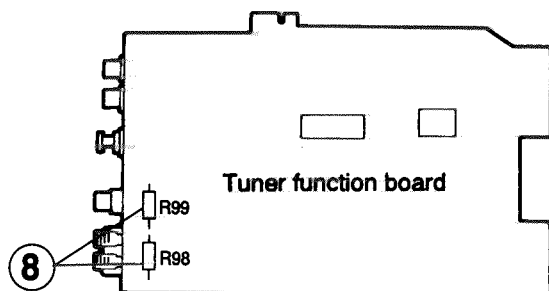
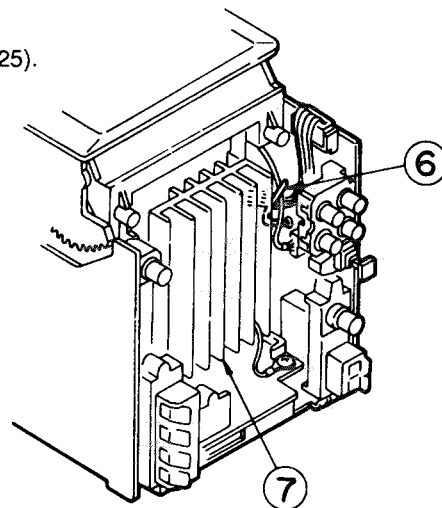
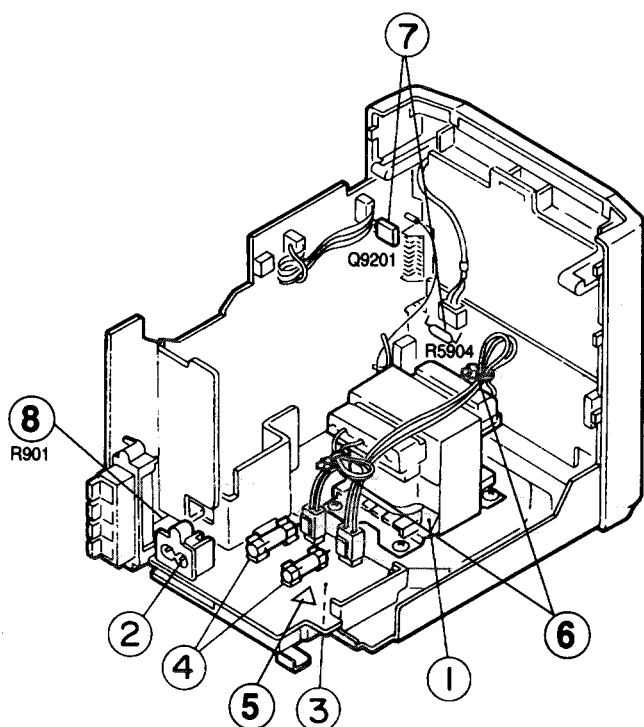
5. Concerning the fuse caution letters (written in french of "C" version) or graphic indications must be confirmed.

6. Wires must be clamped or secured at the locations shown in the figure so that the wire do not touch to live parts, moving part, hot part, or sharp edges.

7. Following parts are controlled as the heated parts. confirm that the flammable parts are lifted up the parts in () must be controled.

• IC602, Heat sink+IC91, IC31, IC901, IC holder (For IC901, IC31), IC901, IC31, (Q9201), R1001, R1002, R2001, R2002, (R5904), (R4003), (Heat sink)

8. Make sure the value of R901, R98, R99 to be 2.2M Ω (QRZ9037 – 225).



3. Removal of Main Parts

■ Removing the rear cover and side panel (See Figs.3-1~3-4)

- Remove the six screws ① retaining the rear cover from behind the body.
 - From the bottom face of the body, remove the four screws ② retaining the rear cover.
 - After passing the lock pawls at the speaker terminals through the position in Fig. 5-1, remove the rear cover.

- Remove the two screws ③ retaining both of the right and left side panels.
 - By moving the side panels (right and left sides) while pulling out the panels toward the rear side, disengage the upper two engagement sections, and dismount the panels while expanding them toward the front side.

※ For assembling (the rear cover and side panels), mount the upper two engagement sections while aligning the same in place at first, and assemble the rear cover and side panels while plugging (the cover and panels) toward the front side.

- The side fitting should be pulled out upward.

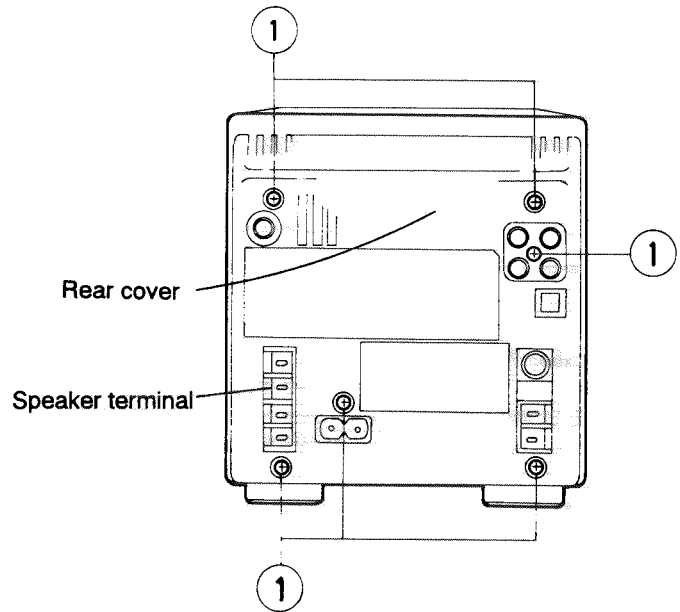


Fig.3-1

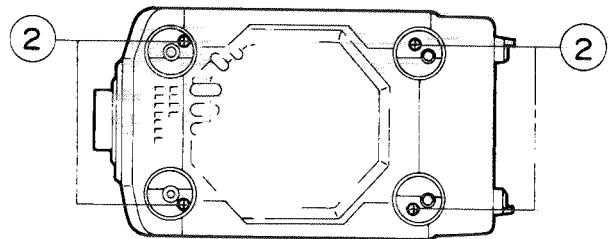


Fig.3-2

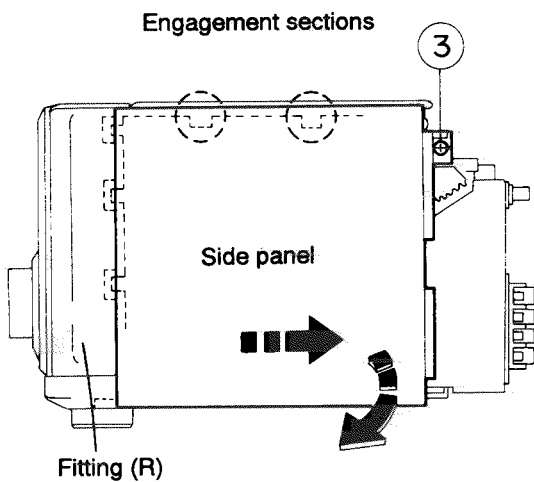


Fig.3-3

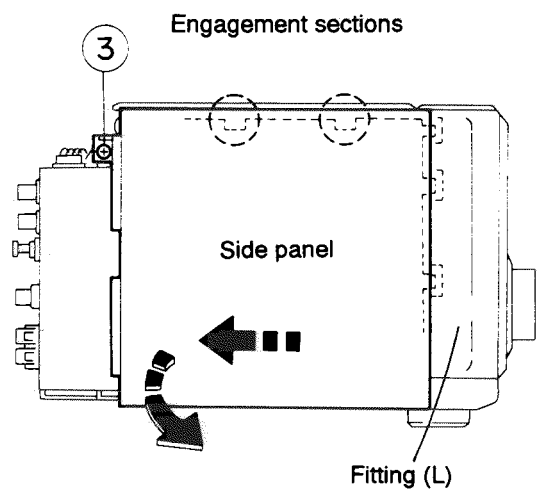


Fig.3-4

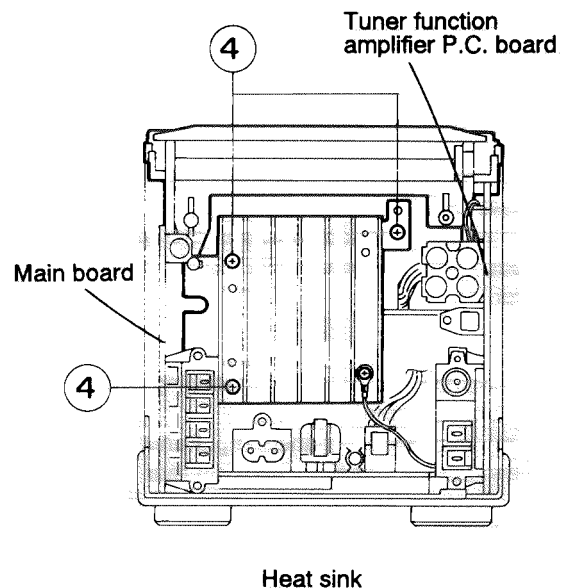
■ Removing the CD player assembly

(See Figs.3-5~3-7)

1. Remove the rear cover from behind the body.
2. Remove the side panels and fittings (L and R).
3. After removing the three screws ④ from behind the body, dismount the heat sink.
4.
 - From the side of the body, remove the two screws ⑤ retaining the CD player assembly.
 - Remove the one screw ⑥ retaining the tuner function amplifier P.C. board.
 - Remove the connector wires from the connectors CN643 and CN635 on the tuner function amplifier P.C. board, and then remove the card wires connected to the connector CN631 CD amplifier P.C. board.
 - Remove the connector wire from the connector CN301 on the main board.
5. Remove the CD player while pulling it out toward the rear side.

Then, the connector CN801 connected to the connector CN781 on the LCD microcomputer P.C. board of the front assembly will be disconnected at the same time.

- ※ To ensure easy assembly of the CD player assembly, temporarily remove the tuner function amplifier P.C. board, and after mounting the CD player assembly, assemble the tuner function amplifier P.C. board.



Heat sink

Fig.3-5

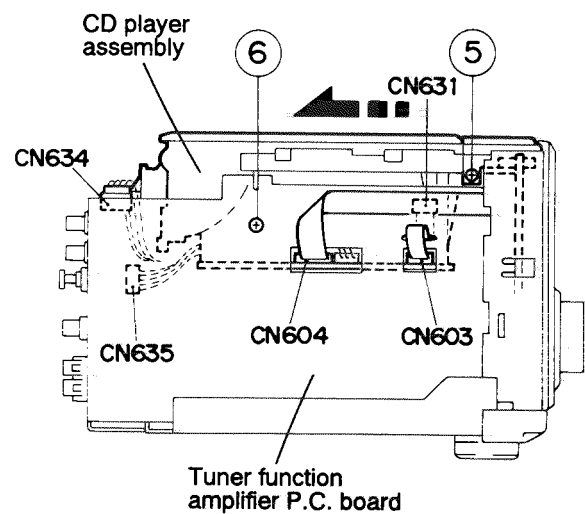


Fig.3-6

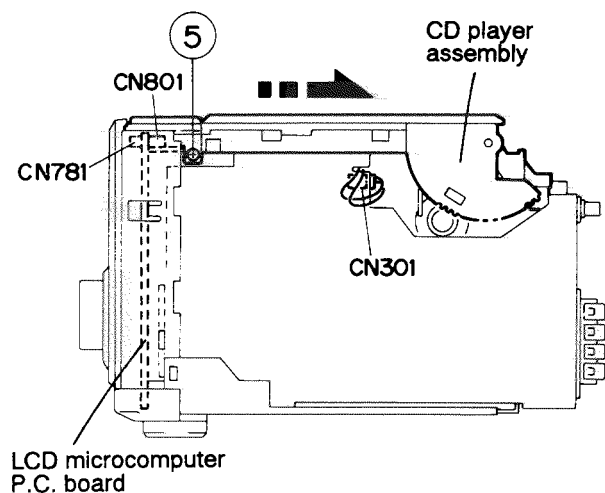


Fig.3-7

■ Removing the CD player section

(See Figs.3-8~3-13)

1. Remove the CD player assembly.
2. Removing the CD amplifier assembly
 - Remove the two screws ⑦ retaining the shield.
 - Remove the remaining two screws retaining the CD amplifier P.C. board.
 - Remove the card wire from the connector CN602 on the CD amplifier P.C. board connected to the CD mechanism, and also the card wire from the connector CN601.
3. Removing the CD mechanism assembly
 - Remove the four screws ⑧ retaining the CD motor drive P.C. board.
4. Removing the CD motor drive P.C. board
 - Remove the two screws ⑨ retaining the CD motor drive P.C. board.
 - After disengaging the belt from the motor pulley, remove the CD motor drive P.C. board.
5. Removing the CD door assembly
 - Disengage the two engagement sections on both the right and left sides of the CD door while expanding the sections outward.
6. Removing the operation switch P.C. board
 - Remove the top panel while expanding the right and left side pawls outward.
 - Remove the operation switch P.C. board upward.

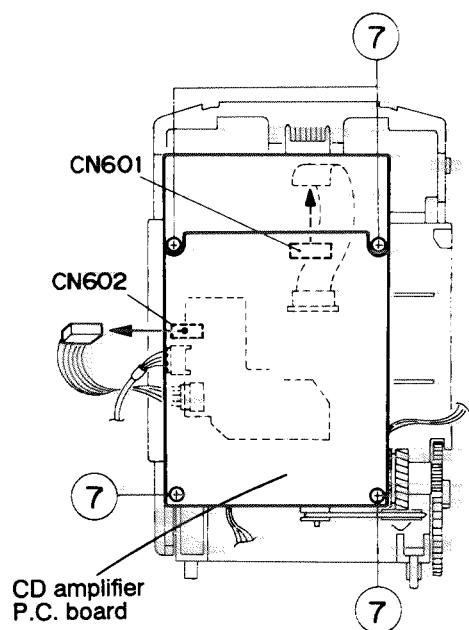


Fig.3-8

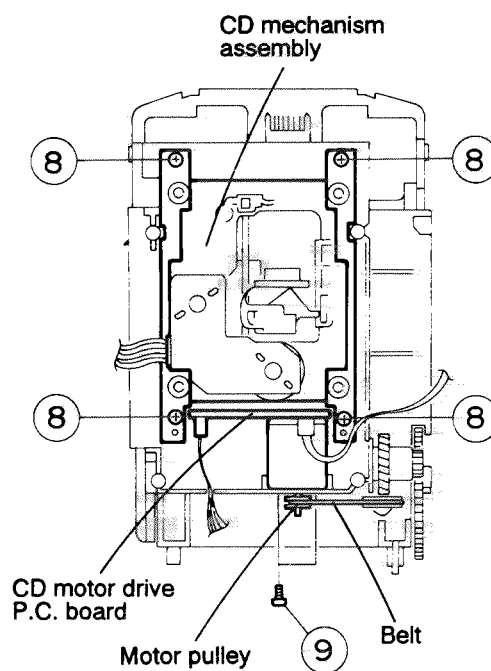


Fig.3-9

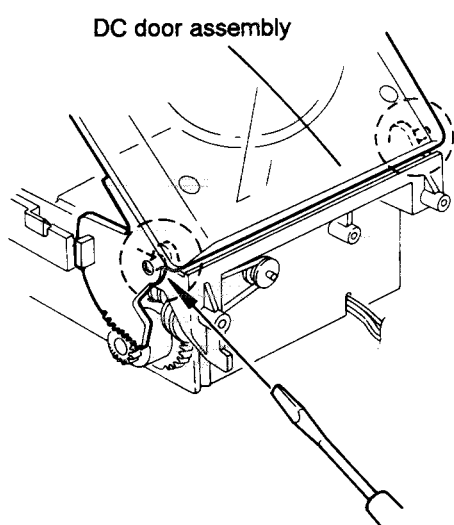


Fig.3-10

Removing the tuner function amplifier P.C. board (See Figs.3-14~3-16)

- Remove the connectors CN633 and CN632 on the tuner function amplifier P.C. board by pulling them out respectively from the front assembly.
- Remove the card wire from the post pin W6001 on the tuner function amplifier P.C. board.

Removing the main board

1. Remove the earth wire from the post pin CN531 on the main board.
2. Disconnect the main connector CN300 on the main board connected to the power supply P.C. board while expanding the main board outward.
3. Disconnect the connectors CN302 and CN303 on the main board toward the rear side by pulling the connectors out from the front assembly.

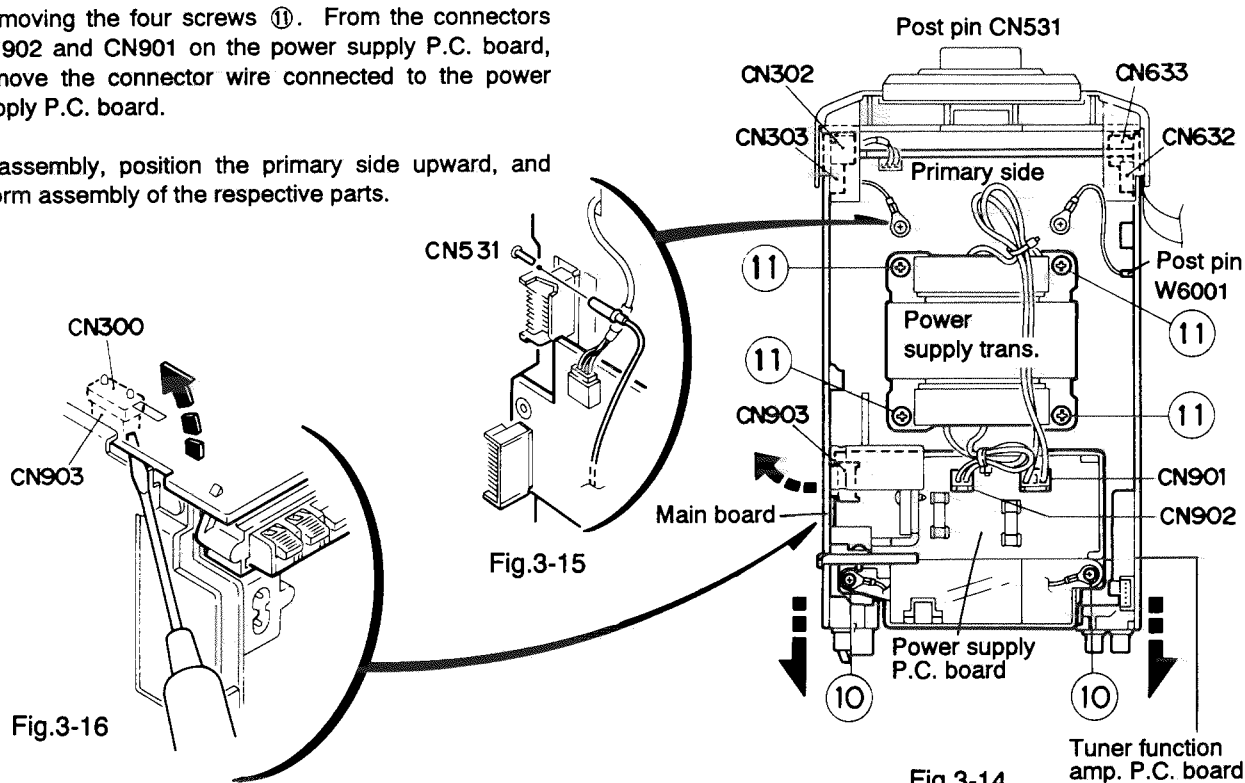
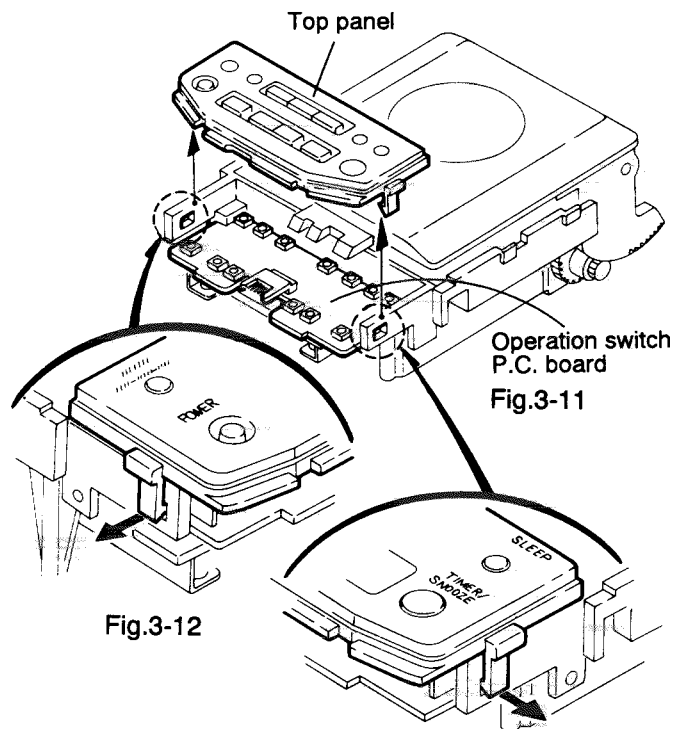
Removing the power supply P.C. board

1. After removing the two screws ⑩, disconnect the connector CN903 on the power supply P.C. board connected to the main board.
2. From the connectors CN902 and CN901, remove the connector wires outgoing from the power supply transformer.
3. While disengaging the power supply P.C. board and holder engagement, remove the power supply P.C. board.

Removing the power supply transformer assembly

- Removing the four screws ⑪. From the connectors CN902 and CN901 on the power supply P.C. board, remove the connector wire connected to the power supply P.C. board.

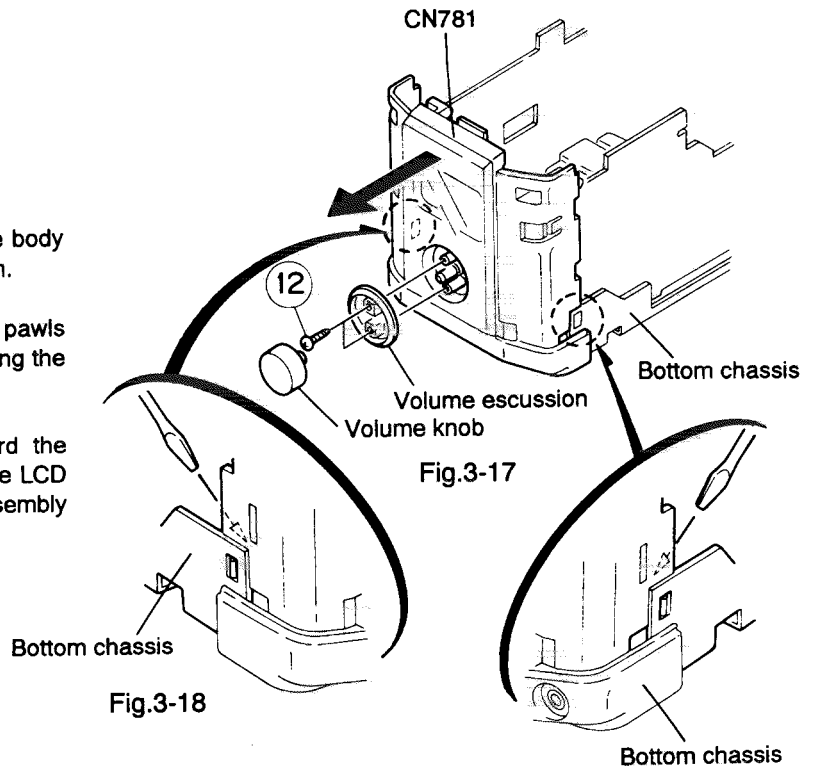
※ For assembly, position the primary side upward, and perform assembly of the respective parts.



■ **Removing the front assembly**

(See Figs.3-17~3-19)

1. Remove the rear cover from behind the body.
2. Dismount the CD player assembly.
3. Remove the side panels and fittings (L and R).
4. After removing the knob from the front face of the body and two screws ⑫, dismount the volume escussion.
5. By using a driver and other tool, remove the two pawls provided on both the right and left sides for engaging the front assembly and bottom chassis.
6. After removing the front panel assembly toward the front side, disconnect the connector CN781 on the LCD microcomputer P.C. board from the CD player assembly at the same time.



■ **Removing the tuner switch EL driver P.C. board and microcomputer P.C. board** (See Figs.3-20~3-21)

1. • While expanding the engagement sections (a) and (b) with the front cabinet, remove the tuner switch EL driver P.C. board.
 - Remove the connector wire from the connector CN503 connected to the LCD microcomputer P.C. board.
2. • Remove the one screws (13).
 - While expanding the engagement sections (c) and (d) with the front cabinet to outside, remove the LCD microcomputer assembly.

● **Assembly method**

1. Insert the power supply P.C. board into the engagement section of the power supply P.C. board holder, assemble the power supply P.C. board on the bottom chassis together with the power supply P.C. board holder.
2. Subsequent to mounting the power supply transformer, the secondary side connector wire outgoing from the power supply transformer and the primary side connector wire on the power supply P.C. board should be connected respectively to the connectors CN902 and CN901 on the power supply P.C. board.
3. Connect the connector CN300 on the main board to CN903 on the power supply board, and assemble the main board on the bottom chassis.
4. Engage the front assembly exactly to the pawl at the engagement section of the bottom chassis, and connect the connectors CN302 and CN303 on the the main board respectively to the connector CN711 on the LCD microcomputer P.C. board of the front assembly and the connector CN501 on the tuner switch EL driver P.C. board.
5. Assemble the CD player assembly while plugging the connector CN801 on the operation switch P.C. board of the CD player assembly to the connector CN781 on the LCD microcomputer P.C. board of the front assembly.
6. Plug in the connectors CN633 and CN632 on the tuner function amplifier P.C. board to the connector CN502 on the tuner switch EL driver P.C. board of the front assembly and CN761 on the LCD microcomputer P.C. board.

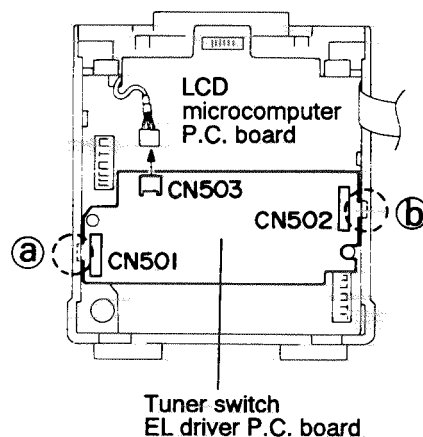


Fig.3-20

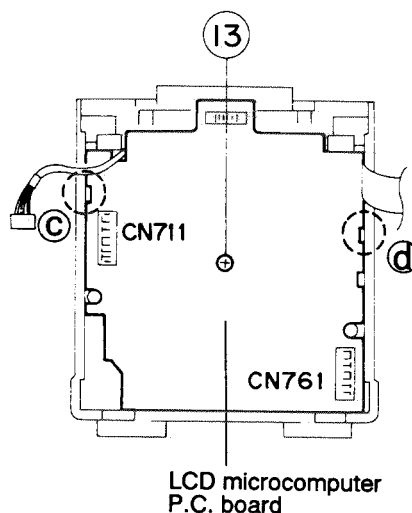


Fig.3-21

4.Main Adjustment

■ Test Instruments required for adjustment

1. Low frequency oscillator
(Frequency range: 50Hz to 20kHz)
(Output : 0 dBs across 600 Ω terminating resistor)
2. Attenuator(Impedance : 600 Ω)
3. Test disc : CTS- 1000(Audio)
: CTS - 1000 & CRG - 1211S(Optical Control)
4. Extension cord : EXTUX1000- JIG
5. Electronic voltmeter
6. Distortion meter
7. Jitter meter : NJM631
8. TE offset meter : LTM9055

■ Measuring conditions (Amplifier section)

Supply voltage AC120V (60Hz)

Reference output level :Speaker
0 dBs (0.775V) / 4 Ω
: Headphone
- 10dBs (0.245V)/ 32 Ω
:Line out
300mV(- 8.2dBs)/ 47k Ω
:Subwooferout
155mV(- 14dBs)

Standard test frequency
: 1kHz unless otherwise specified

Reference input levelAUX - 8dBs

Output for measuring, unless otherwise specified
: at speaker terminal J3003(Dummy load :4 Ω

Posture of test Horizontal

● Standard position of function switches

Function switchto AUX
Active hyper- bass pro switch to off

● Standard position of volume control

Bass treble to center / flat position
Main volume adjust 0 dBs output position

● Test remarks

1. Negative side of the input and output terminals of the testing set, shall be isolated from each other. The negative side should not be commonly connect ed

when a 2channel electronic voltmeter is connected.

2. A dummy load shall be connected to the output terminal and the lead wires of dummy load shall be as thick as possible.

■ Measuring condition (Tuner section)

Rating source DC 12V
Power source to tuner : DC5.3V

Ference output Speaker : 60mW(0.49 V / 4 Ω)
Headphone : 0.066mV/ 32 Ω

AM modulation 400Hz, 30%

FM modulation 400Hz deviation 22.5kHz

● Standard position of switches and controllers

Function switchto RADIO
Mode switch to STEREO
Bass0 center position
Treble0 center position
Active hyper- bass prop switchto off

● Tuner input position

LW / MW : Standard loop antenna
FM : Hot TP1(Extension terminal)
: GND TP2 Extension terminal)

● Arrangement of loop antenna

When measuring keep the loop antenna away from the set more than 20cm .In case a test item is affected by small noise (Ex. Quieting sensitivity more than 30cm is necessary.)

● Remarks for alignment

1. Connect 30 pF capacitor and 33 k Ω resistor to the output terminal of the IF sweeper in series while 0.082 μ F capacitor and 100k Ω resistor to the input terminal in series.
- 2.Set the output level of the IF sweeper as low as adjustable.
- 3.IF alignment is not necessary for both AM and FM MPX alignment is not necessary either. All IFTs and MPX coil are non- adjusting type.

■ How to Connect the Extension Cord (EXTUX1000-JIG)

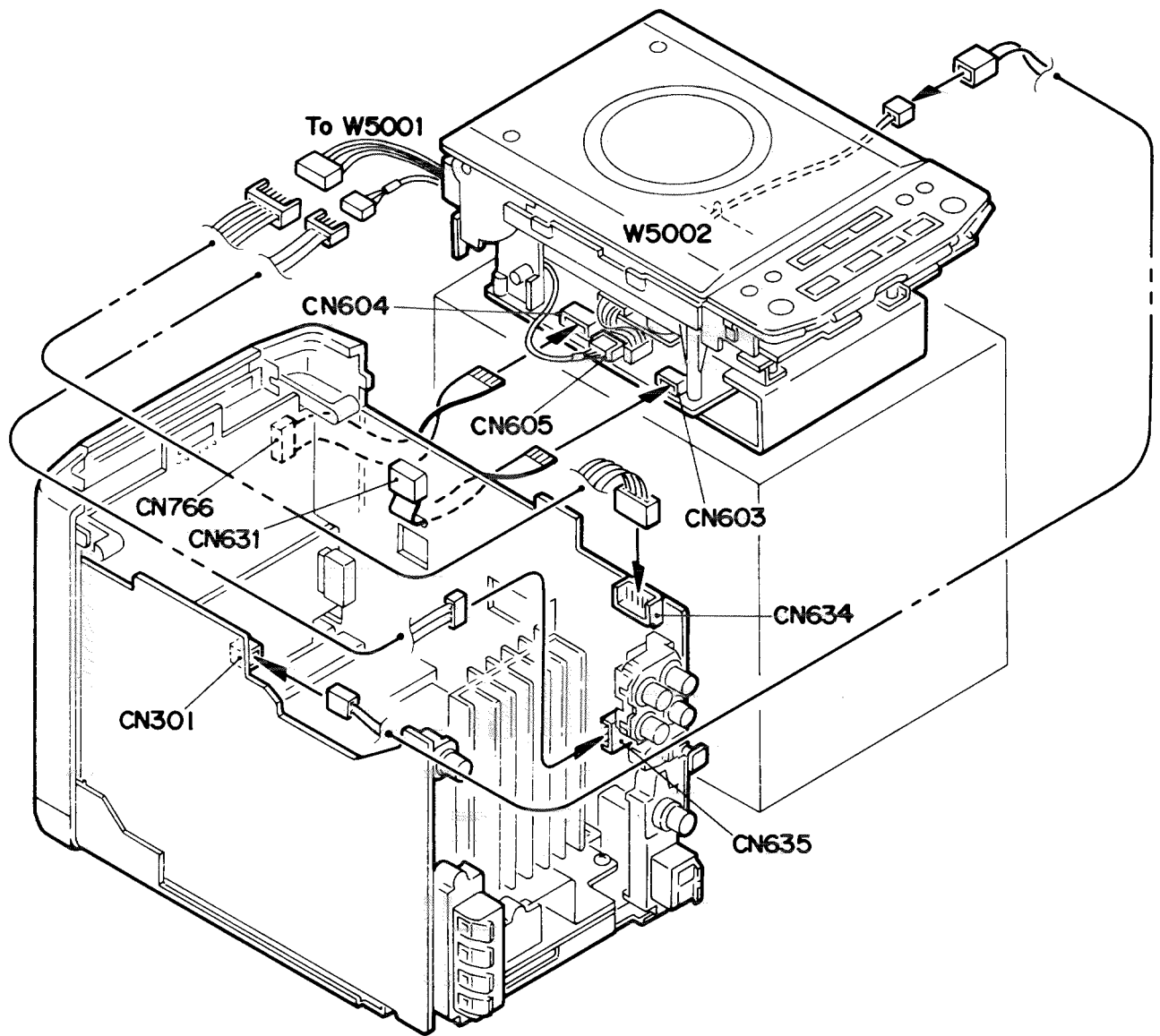


Fig.4-1

■ Arrangement Checking Test Point

(CD Amplifier board)

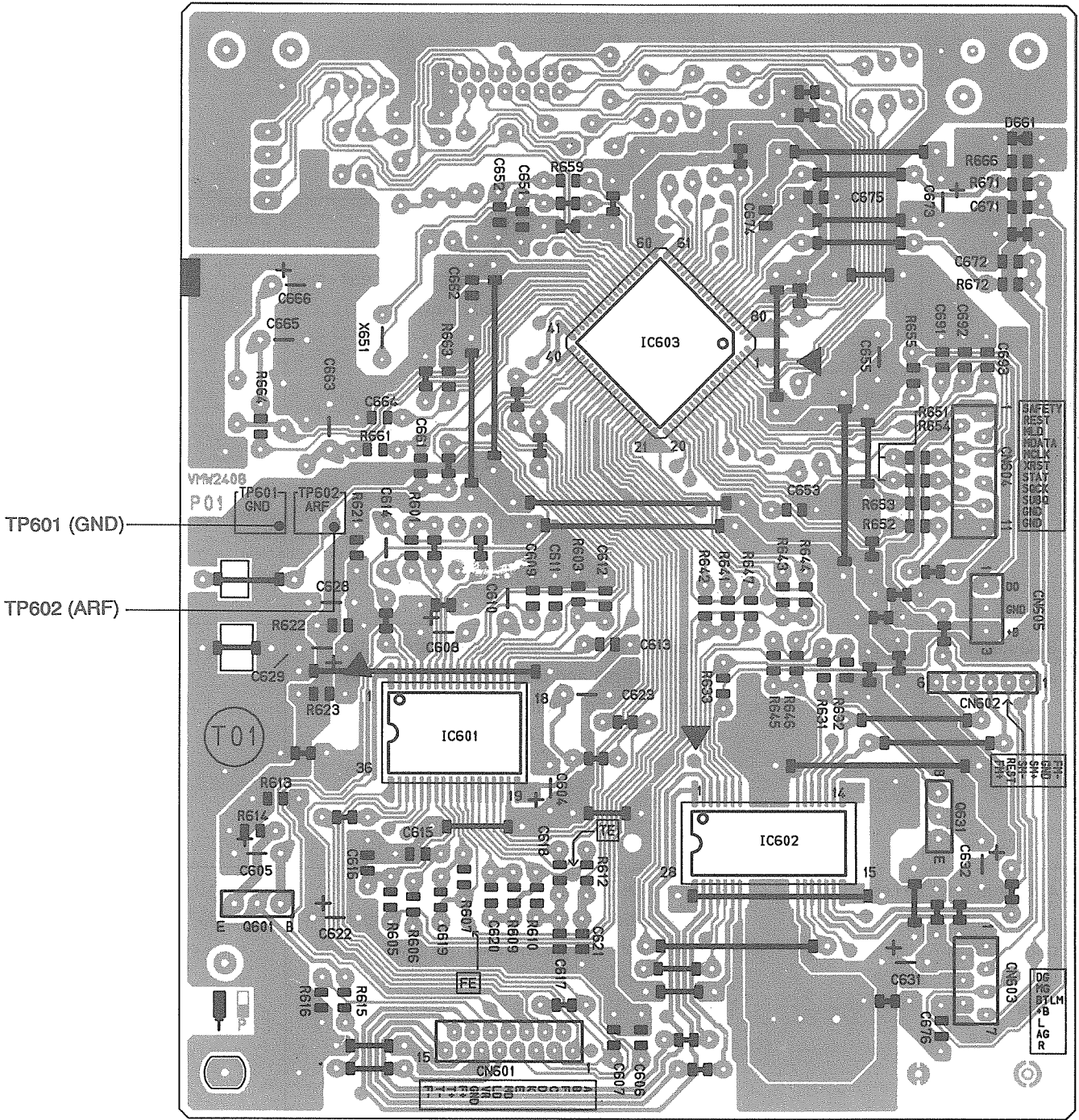
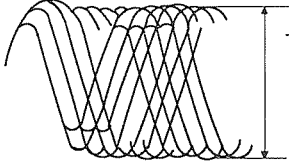


Fig.4-2

■ CD section

Items	Conditions	Adjustment and Confirmation procedure	Standard Value	Adjusting
1. Jitter check	<ul style="list-style-type: none"> •Measuring instrument : Jitter meter •Test point :TP601(GND side) :TP602(ARF side) •Test disc :CTS-1000 	Connect the jitter meter between TP601(GND) and TP602(ARF) and when test disc (track 1) is played, confirm that the meter reading is 26n-sec or less.	26n-sec or less	—
2. RF level (eye pattern) check	<ul style="list-style-type: none"> •Measuring instrument :Oscilloscope •Test point :TP601(GND side) :TP602(ARF side) •Test disc :CTS-1000 	Connect the oscilloscope between TP601(GND) and TP602(ARF) and when test disc (track 1) is played, confirm that peak-to-peak value of oscilloscope waveform is within $1.1V \pm 0.2V$. <div style="text-align: center;"> <p>Eye-pattern waveform</p>  <p>The maximum value of this waveform should be in the range of specifications and the waveform should be clear</p> </div>	within $1.1V \pm 0.2V$.	—
3. Outer most area check	<ul style="list-style-type: none"> •Test disc :CTS-1000 	Select "Track 26" on the outer area of test disc directly and check that it begins playback smoothly and that there are no abnormal conditions such as a tracking error.		—
4. Pickup unit movement check (From the outer area to the inner area)	<ul style="list-style-type: none"> •Test disc :CTS-1000 	Allow the pickup to skip over from the disc's outer most area to "Track 1" and check that it takes within 10 seconds for the player to enter play mode.	within 10 seconds	—

5. Wiring Connections

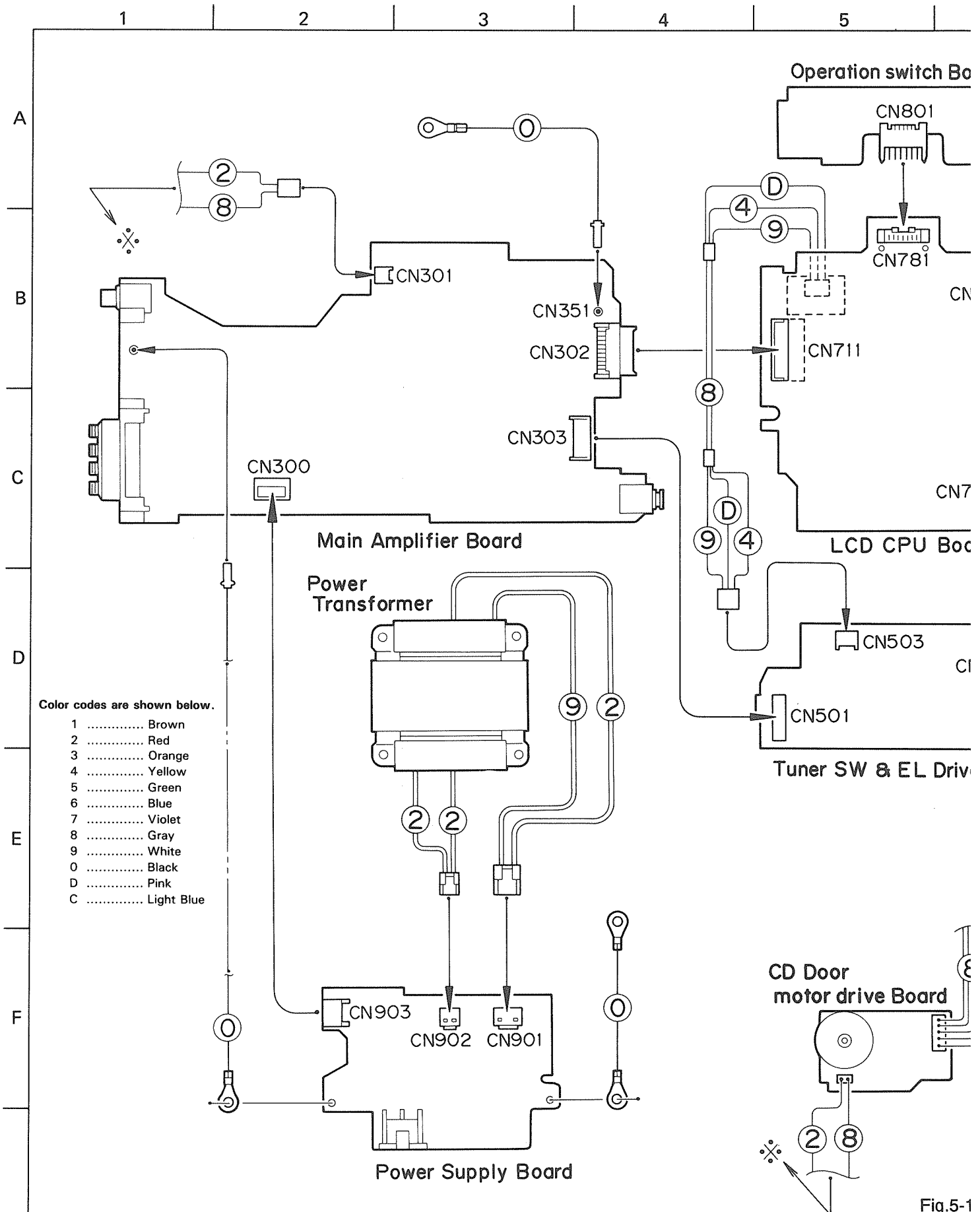


Fig.5-1

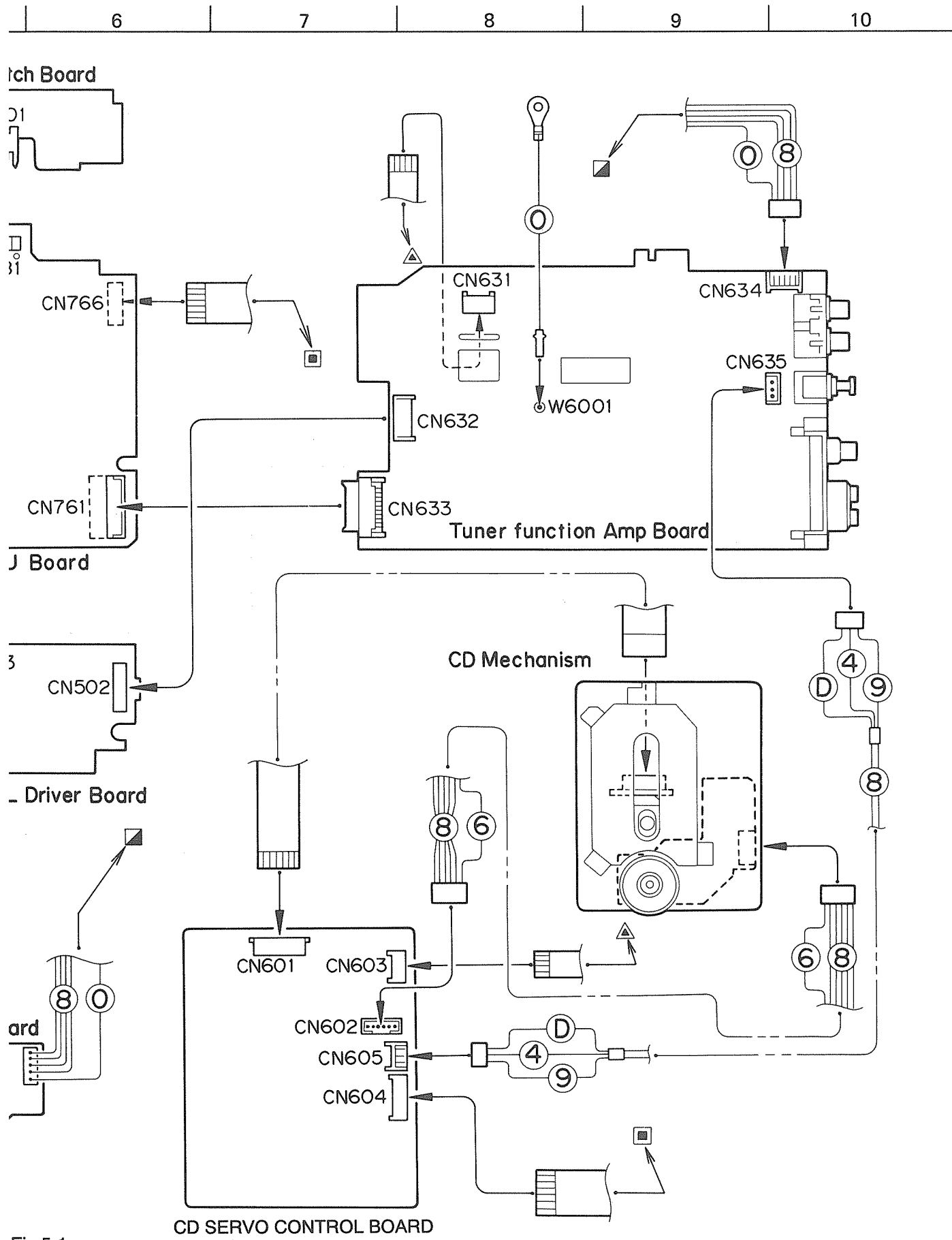
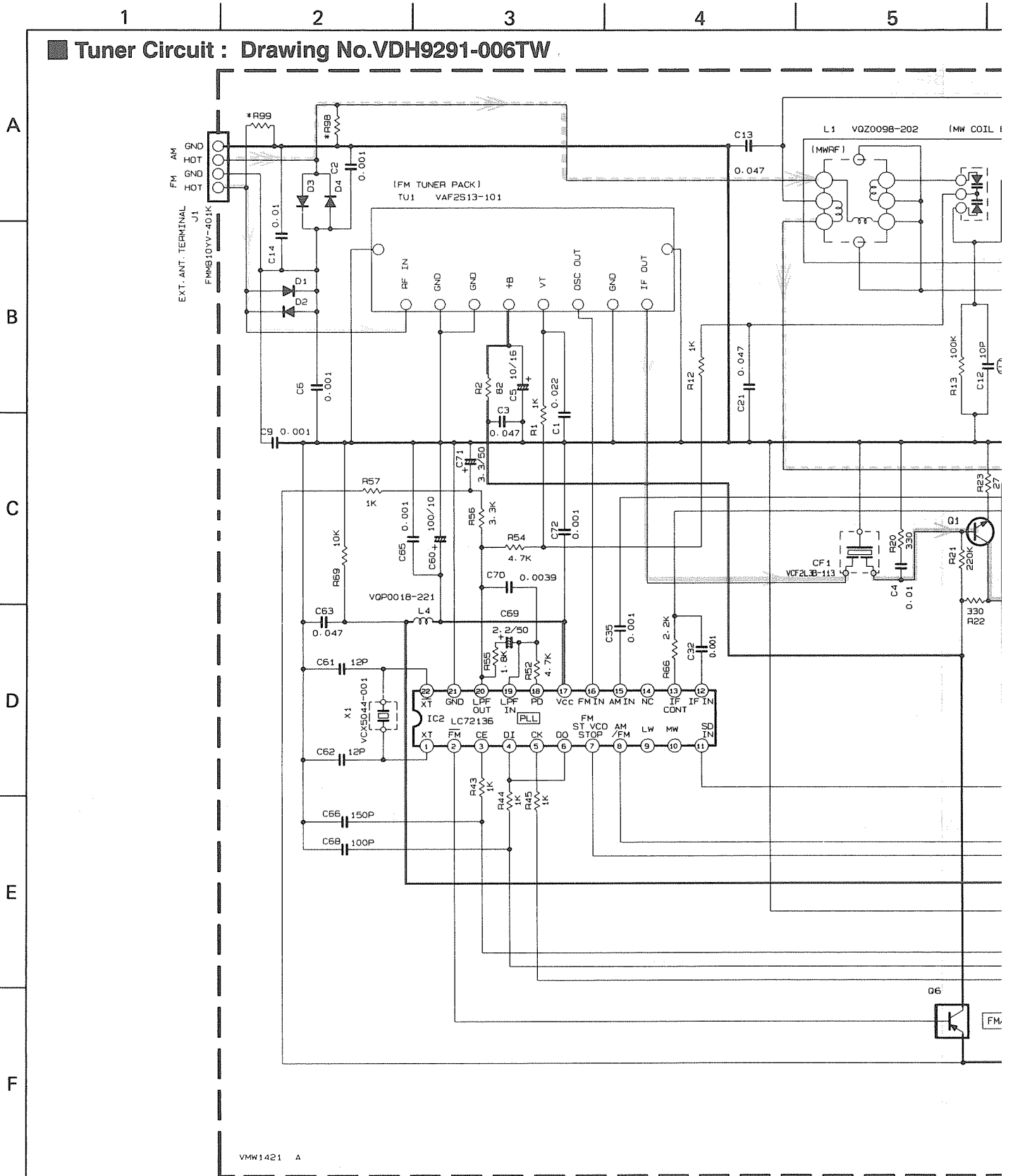


Fig.5-1

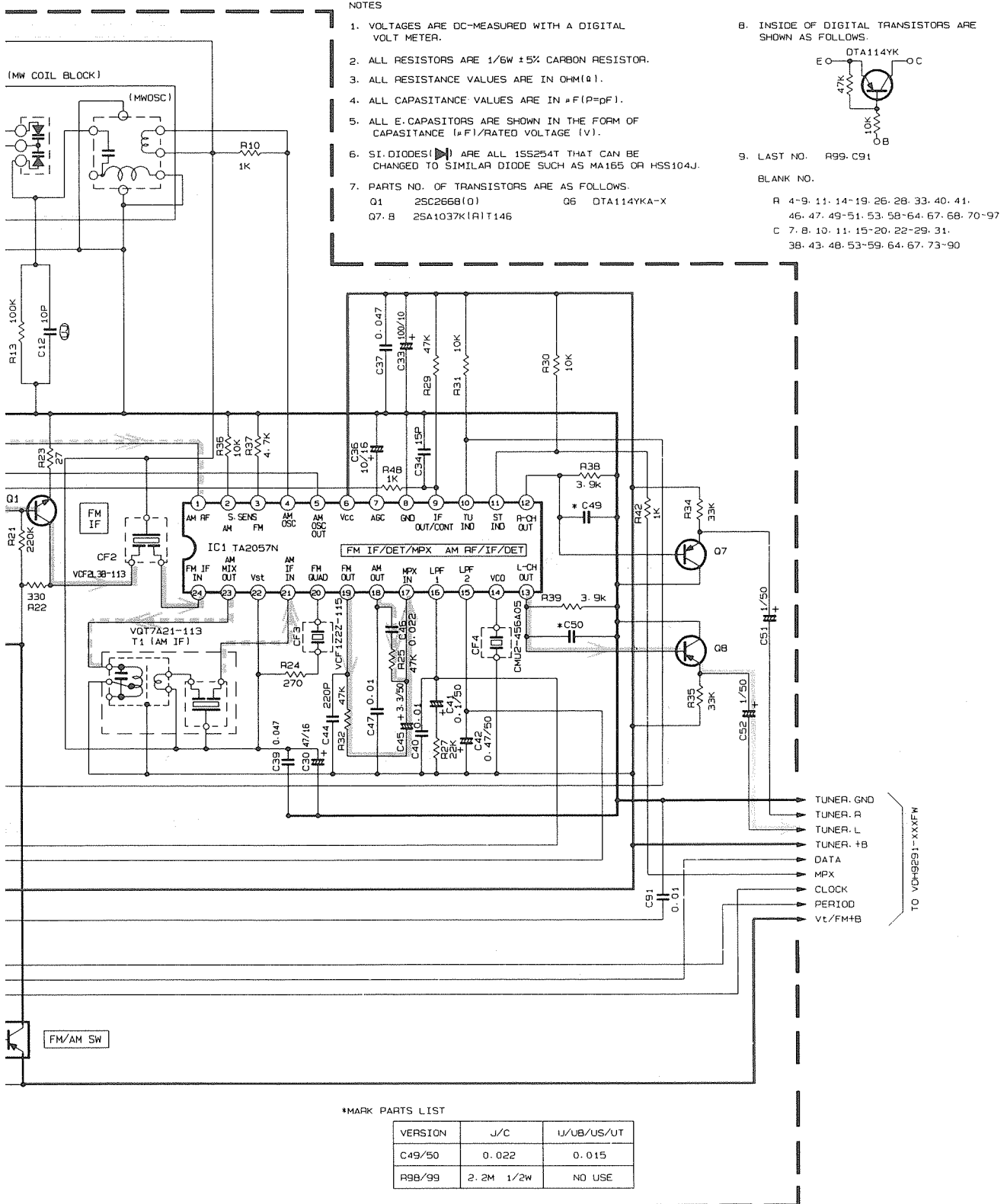
6. Standard Schematic Diagram



CONDITION	PIN NO.	1	2	3	4	5	6	7	8	9	10	11	12	13	14	15	16	17	18	19	20	21	22	23	24
IC1	FM NO SIGNAL	2.0	0.5	0	2.0	5.2	5.2	0	0	0.3	5.2	5.2	1.1	1.1	4.6	3.9	3.9	1.4	0	1.3	1.1	2.0	2.0	5.2	2.0
	FM 50dB STEREO	2.0	0.5	0	2.0	5.2	5.2	1.1	0	0.3	0	0	1.1	1.1	4.5	4.1	3.9	1.4	0	1.4	1.1	2.0	2.0	5.2	2.0
	AM NO SIGNAL	2.0	0.5	0	2.0	5.0	5.2	0	0	0.3	5.2	5.2	1.1	1.1	4.8	0.1	0	1.4	1.4	1.5	1.6	2.0	2.0	5.2	2.0
IC2	FM NO SIGNAL	2.4	0	0	5.1	4.9	5.1	3.9	3.9	0	0	5.2	0	0	0	0	2.6	5.2	1.0	1.0	3.7	0	2.7		

Tr NO.	
PIN NO.	
FM 75.0MHz NO 5	
AM 531kHz NO 5	

Note : VDH9291006TW

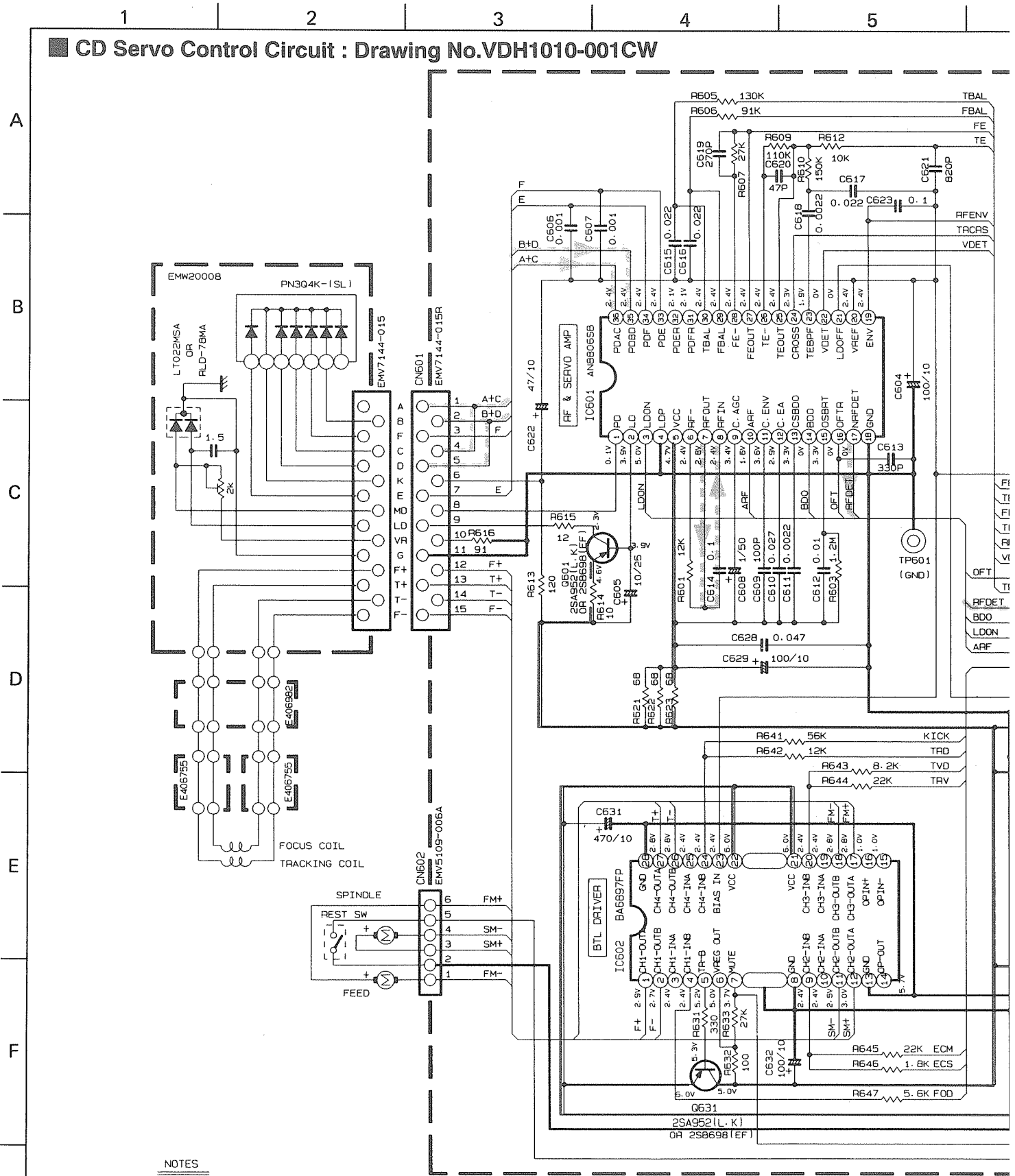


Tr NO.	Q1			Q6			Q7			Q8		
PIN NO.	E	C	B	E	C	B	E	C	B	E	C	B
76.0MHz NO SIGNAL	0	7.5	0.7	B.8	B.7	0	1.6	0	1.1	1.6	0	1.1
53.1kHz NO SIGNAL	0	0	0	B.8	0	B.7	1.6	0	1.1	1.6	0	1.1

FM Radio signal
 AM Radio signal
 †B Line

Fig.6-1

CD Servo Control Circuit : Drawing No.VDH1010-001CW



NOTES

1. VOLTAGES ARE DC-MEASURED WITH A DIGITAL VOLT METER
2. UNLESS OTHERWISE SPECIFIED, RESISTORS ARE 1/6W ±5% CARBON RESISTOR. ALL RESISTANCE VALUES ARE IN OHM (Ω).
- ALL CAPACITORS ARE CERAMIC CAPACITOR OR MYLAR CAPACITOR.
- ALL CAPACITANCE VALUES ARE IN nF (pF).
- ALL E-CAPACITORS ARE SHOWN IN THE FORM OF CAPACITANCE (μF)/RATED VOLTAGE (V).

6

7

8

9

10

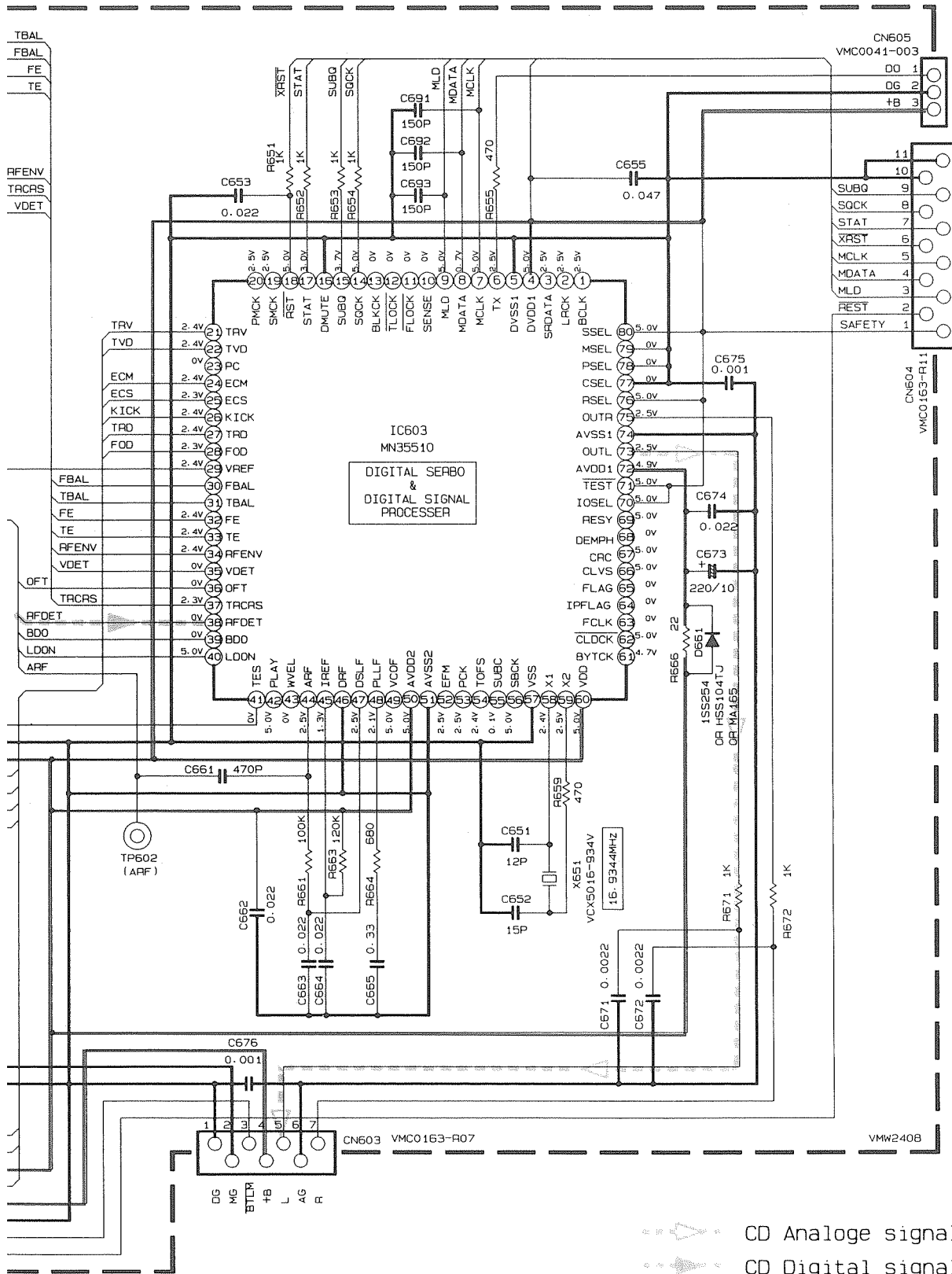
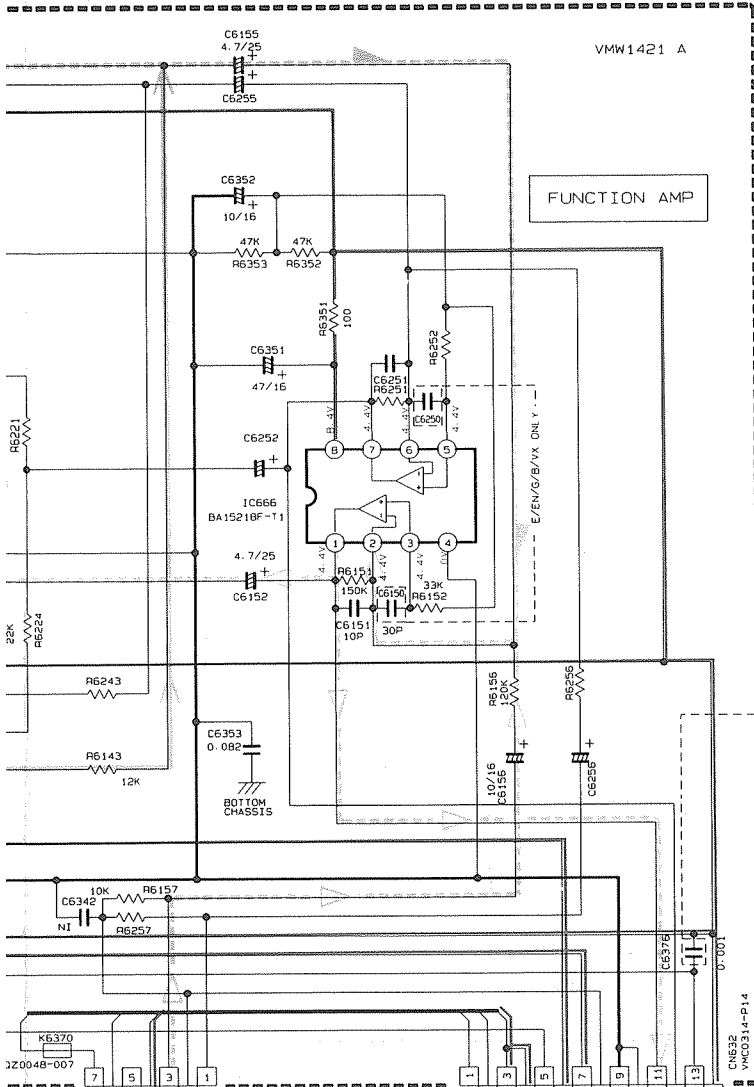


Fig.6-2

- CD Analoge signal
- CD Digital signal
- +B Line



NOTES

- VOLTAGES ARE DC-MEASURED WITH A DIGITAL VOLT METER OR OSCILLOSCOPE WITHOUT INPUT SIGNAL.
CONDITION --- CD STOP MODE
INSIDE BRACKET VALUES ARE OTHER FUNCTIONS
1 1 IS INVERT MODE
- UNLESS OTHERWISE SPECIFIED,
RESISTORS ARE 1/6 ±5% CARBON RESISTOR OR 1/10W ±5% MG RESISTOR
ALL RESISTANCE VALUES ARE IN OHM(Ω)
ALL CAPACITORS ARE CERAMIC CAPACITOR OR MYLAR CAPACITOR
ALL CAPACITANCE VALUES ARE IN nF(10⁻⁹F)
ALL INDUCTANCE VALUES ARE IN mH(10⁻³H)
ALL E CAPACITORS ARE SHOWN IN THE FORM OF CAPACITANCE (nF/RATED VOLTAGE (V))
ALL DIODES ARE 1SS2541-77 OR HSS104T
NI MEANS NO INSERT

(FR) FUSEBLE RESISTOR

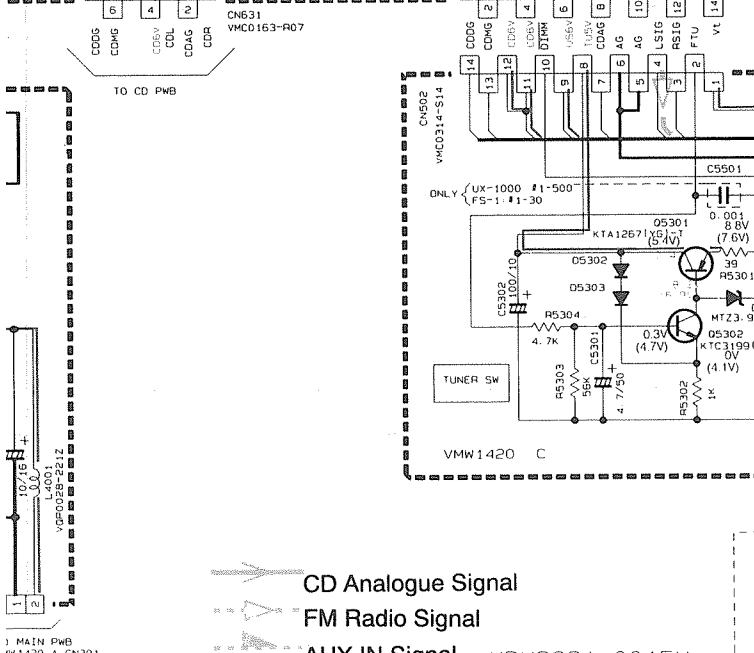


EXCEPT UX-1000 #1-500
FS-1 #1-30

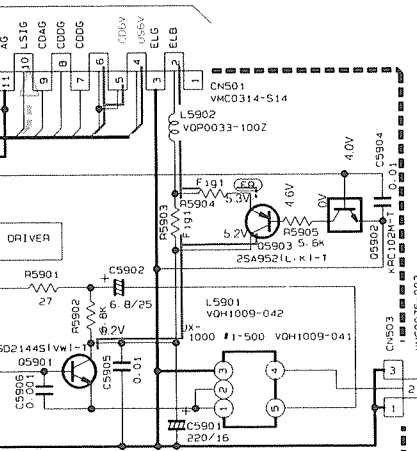
F191

	UX-1000 #1-500
R5903	270 Ω
R5904	47 Ω 1/4W (QR20077-470X)

	UX-1000/UX-1500R	FS-1/UX2000 /UX-2000R
R5903	330 Ω	270 Ω
R5904	68 Ω 1/4W (QR20077-680X)	47 Ω 1/4W (QR20077-470X)



TO MAIN PWB
VMW1420 A CN303



Dom/E/EN/G/VX/G/US/UB/UT/J/C
 UX-1000 · FS-1
 UX-2000 · FS-1000
 UX-2000R · FS-2000
 UX-1500R



■ LCD&System CPU Circuit : Drawing No.VDH9291-001SV

A

B

C

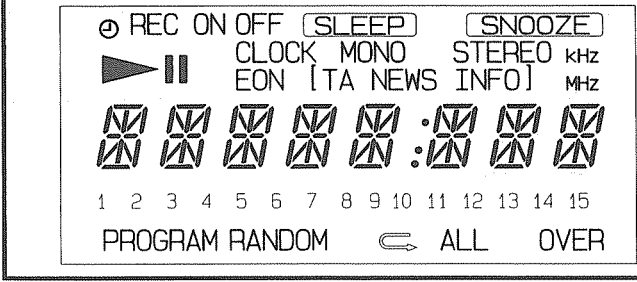
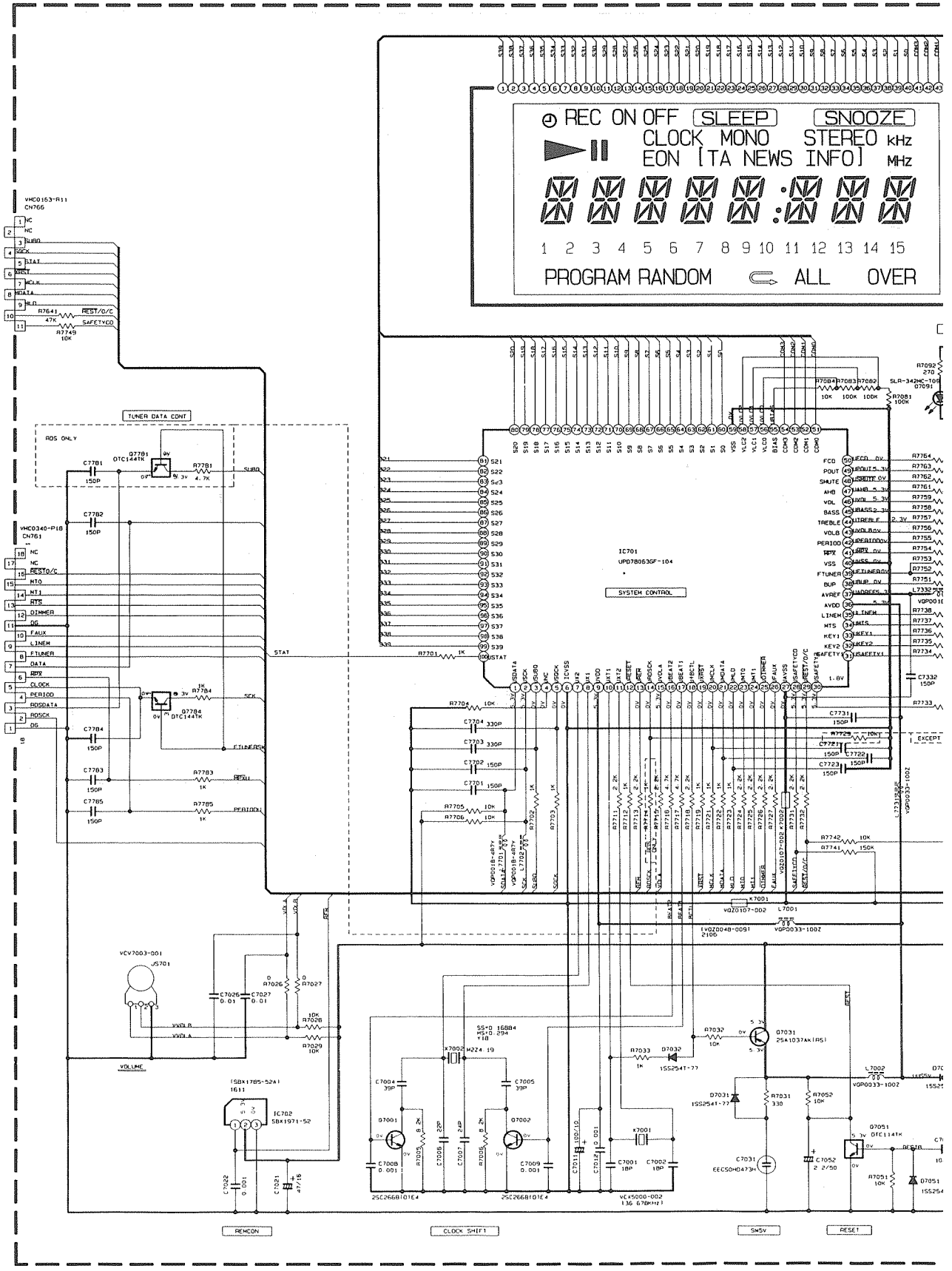
D

E

F

YMH039D
TO CD P.W.B.

YMH1421 A
TO FUNC. TUNER P.W.B.

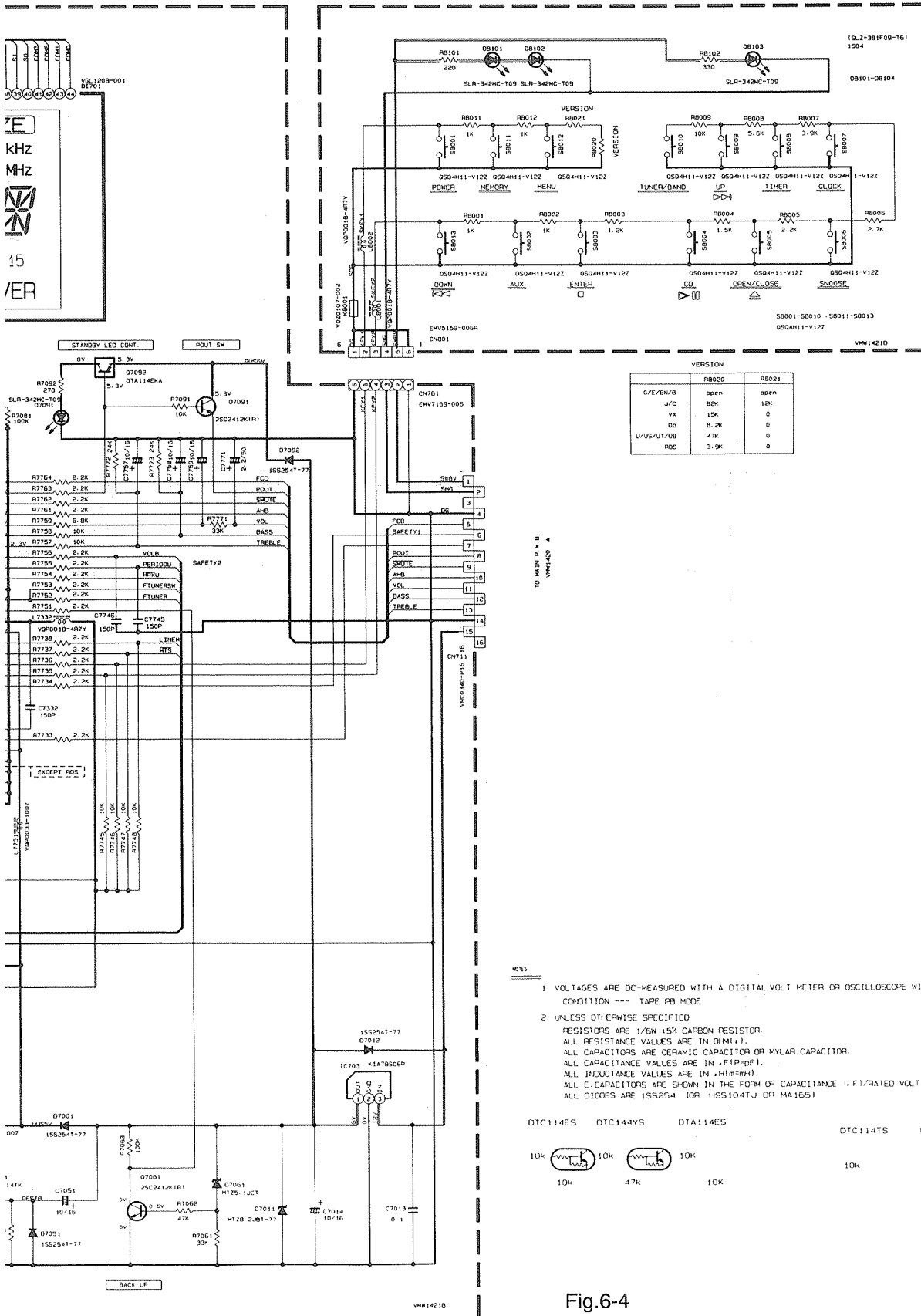


RECON

CLOCK SHIFT

SM5V

RESET



- NOTES
1. VOLTAGES ARE DC-MEASURED WITH A DIGITAL VOLT METER OR OSCILLOSCOPE WITHOUT INPUT SIGNAL. CONDITION --- TAPE PB MODE
 2. UNLESS OTHERWISE SPECIFIED
RESISTORS ARE 1/8W 1% CARBON RESISTOR.
ALL RESISTANCE VALUES ARE IN OHM(S).
ALL CAPACITORS ARE CERAMIC CAPACITORS OR MYLAR CAPACITOR.
ALL CAPACITANCE VALUES ARE IN P.F/P.F.I.
ALL INDUCTANCE VALUES ARE IN H/100MH/1.
ALL ELECTROLYTIC CAPACITORS ARE SHOWN IN THE FORM OF CAPACITANCE (UF)/RATED VOLTAGE (V).
ALL DIODES ARE 1SS254 (OR H55104TJ OR MA165)

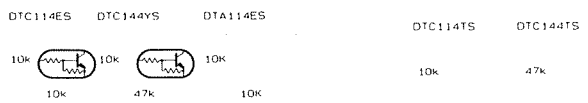
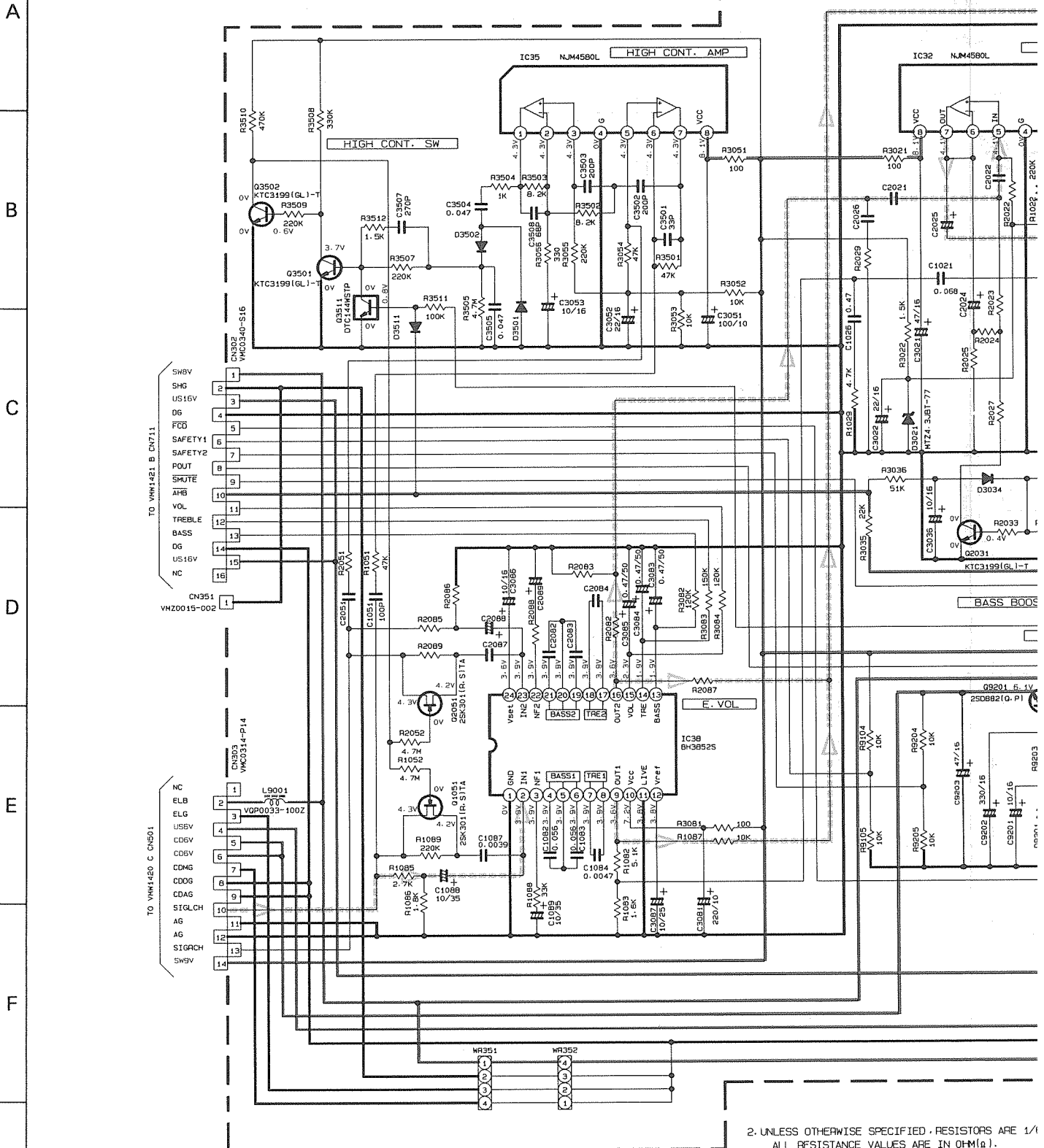


Fig.6-4

+B Line

1 2 3 4 5

Power Supply & Power Amplifier Circuit : Drawing No. VDH9291-006AW

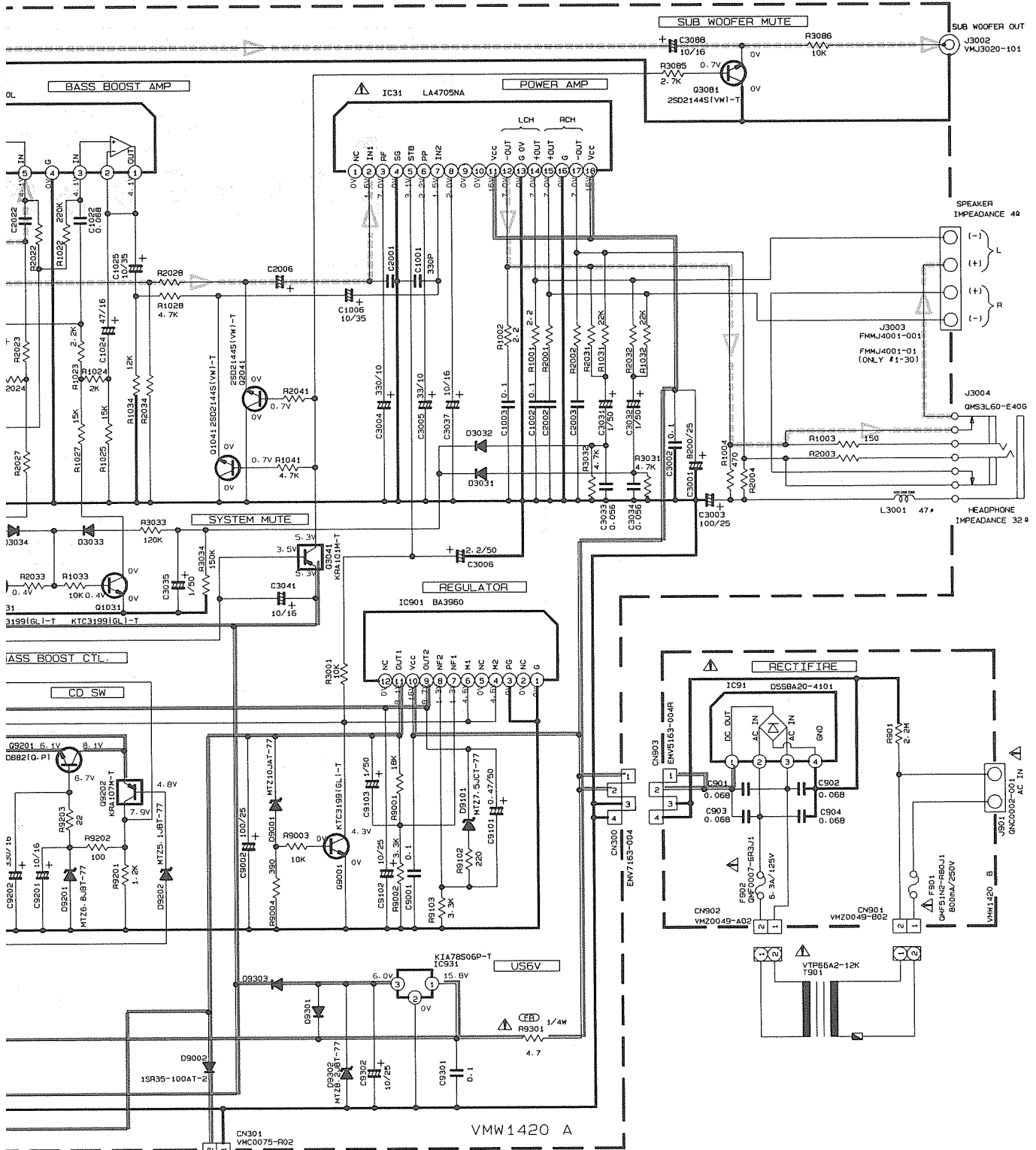


NOTES

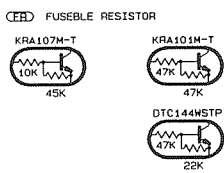
1. VOLTAGES ARE DC-MEASURED WITH A DIGITAL VOLT METER OR OSCILLOSCOPE WITHOUT INPUT SIGNAL.
CONDITION --- FUNC. CD STOP MODE

2. UNLESS OTHERWISE SPECIFIED, RESISTORS ARE 1/4 ALL RESISTANCE VALUES ARE IN OHM(Ω). ALL CAPACITORS ARE CERAMIC CAPACITOR OR MYI ALL CAPACITANCE VALUES ARE IN μF(P=pF). ALL INDUCTANCE VALUES ARE IN μH(m=pH). ALL E-CAPACITORS ARE SHOWN IN THE FORM OF ALL DIODES ARE HSS104TJ OR 1SS254T-77

Note : VDH9291006AW



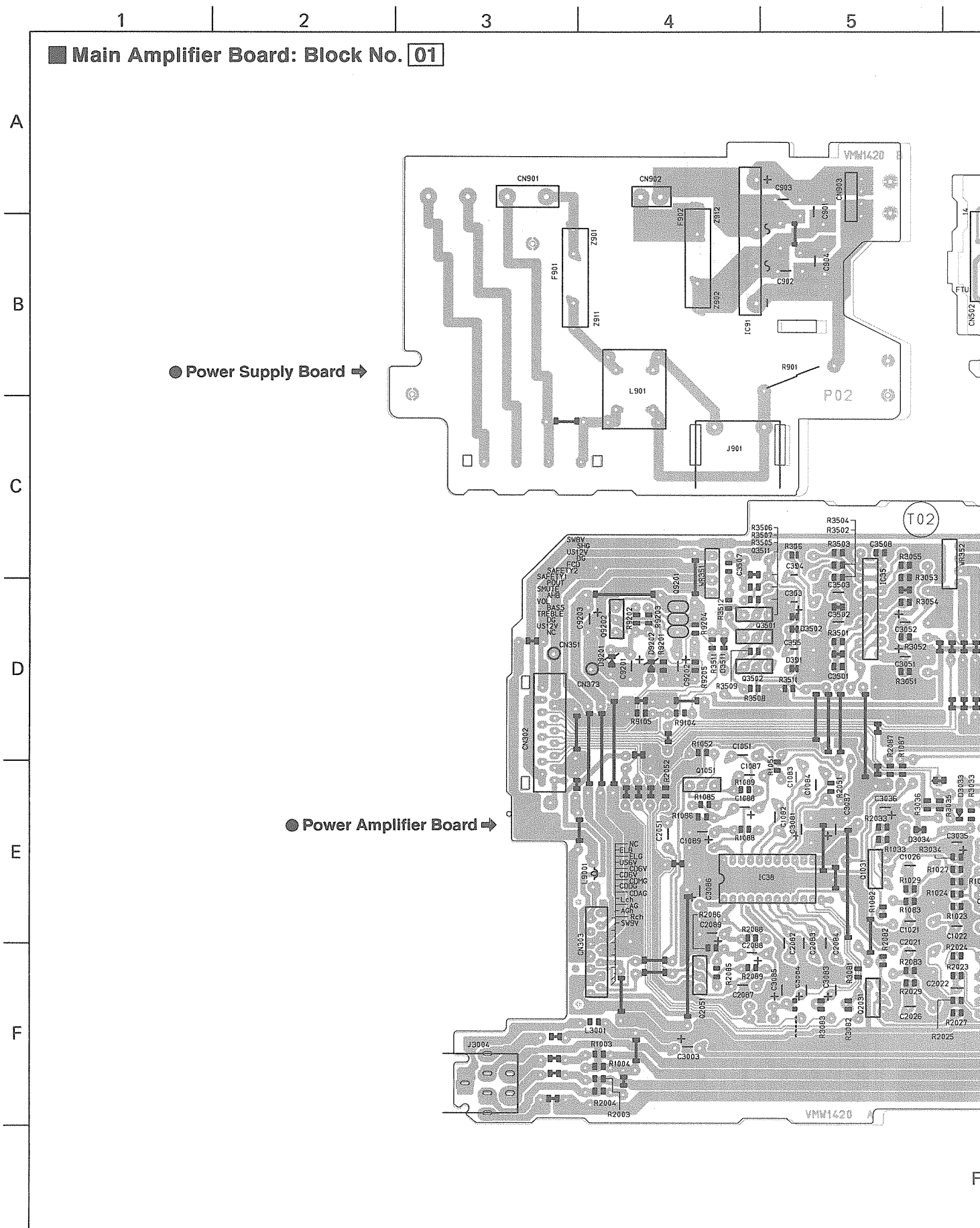
RES ARE 1/6W ±5% CARBON RESISTOR.
 (P) TOR OR MYLAR CAPACITOR.
 P=P.F.
 (M)=M.I.
 FORM OF CAPACITANCE (μF)/RATED VOLTAGE (V).
 S254T-77



CD Analogue signal
 +B Line

Fig.6-5

7. Location of P.C. Board Parts



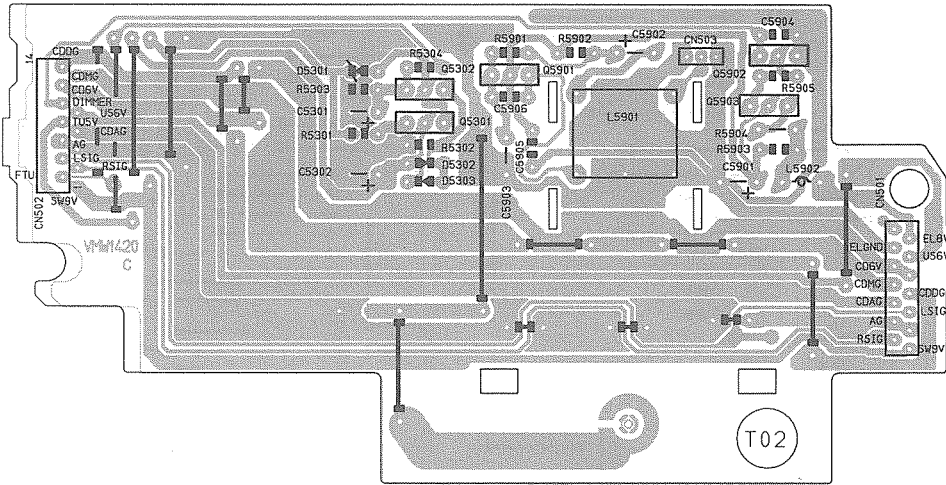
6

7

8

9

10



← ● Tuner Switch & EL Drive Board

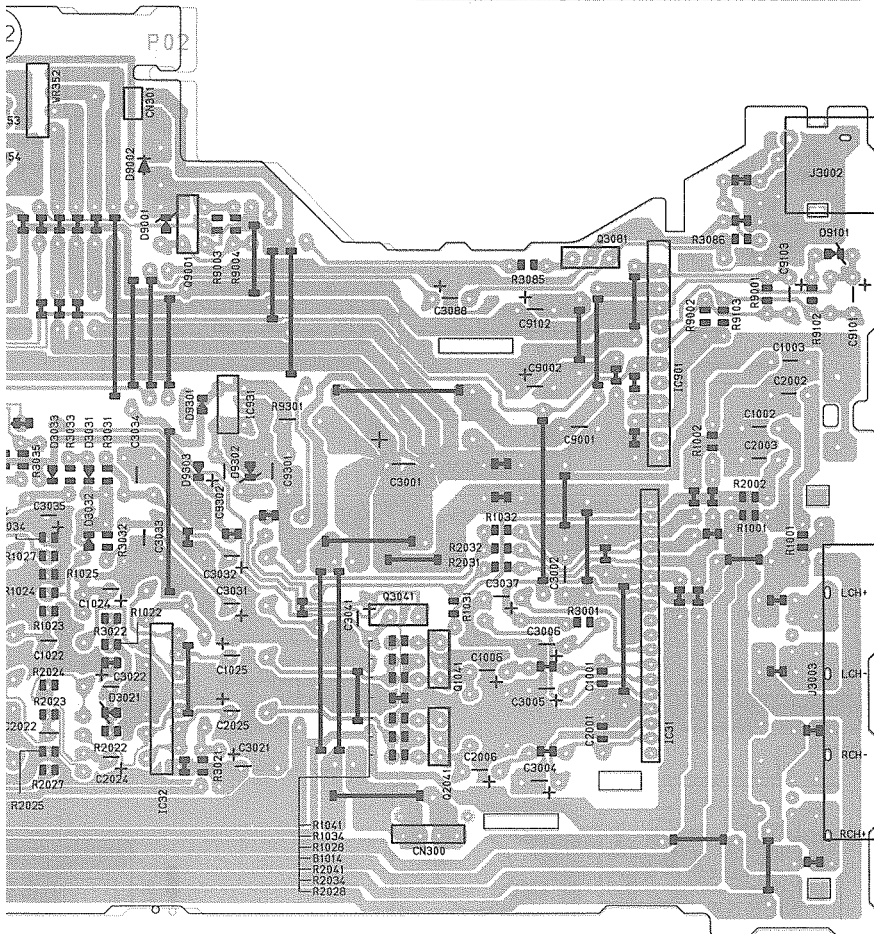
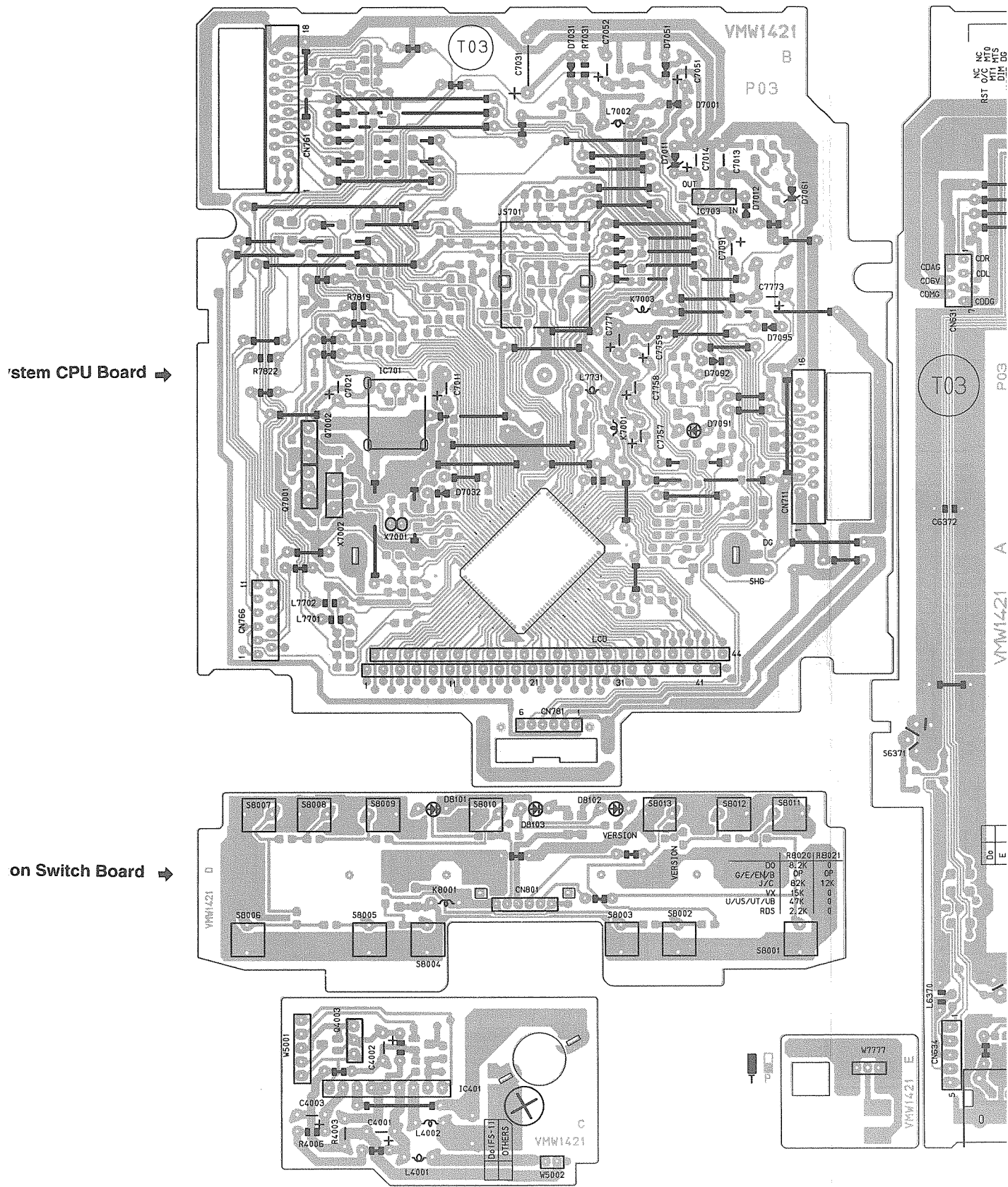


Fig.7-1

r & System CPU Board: Block No. 02



System CPU Board →

Power Switch Board →

↑ CD Door Motor Drive Board

Fig.7-2

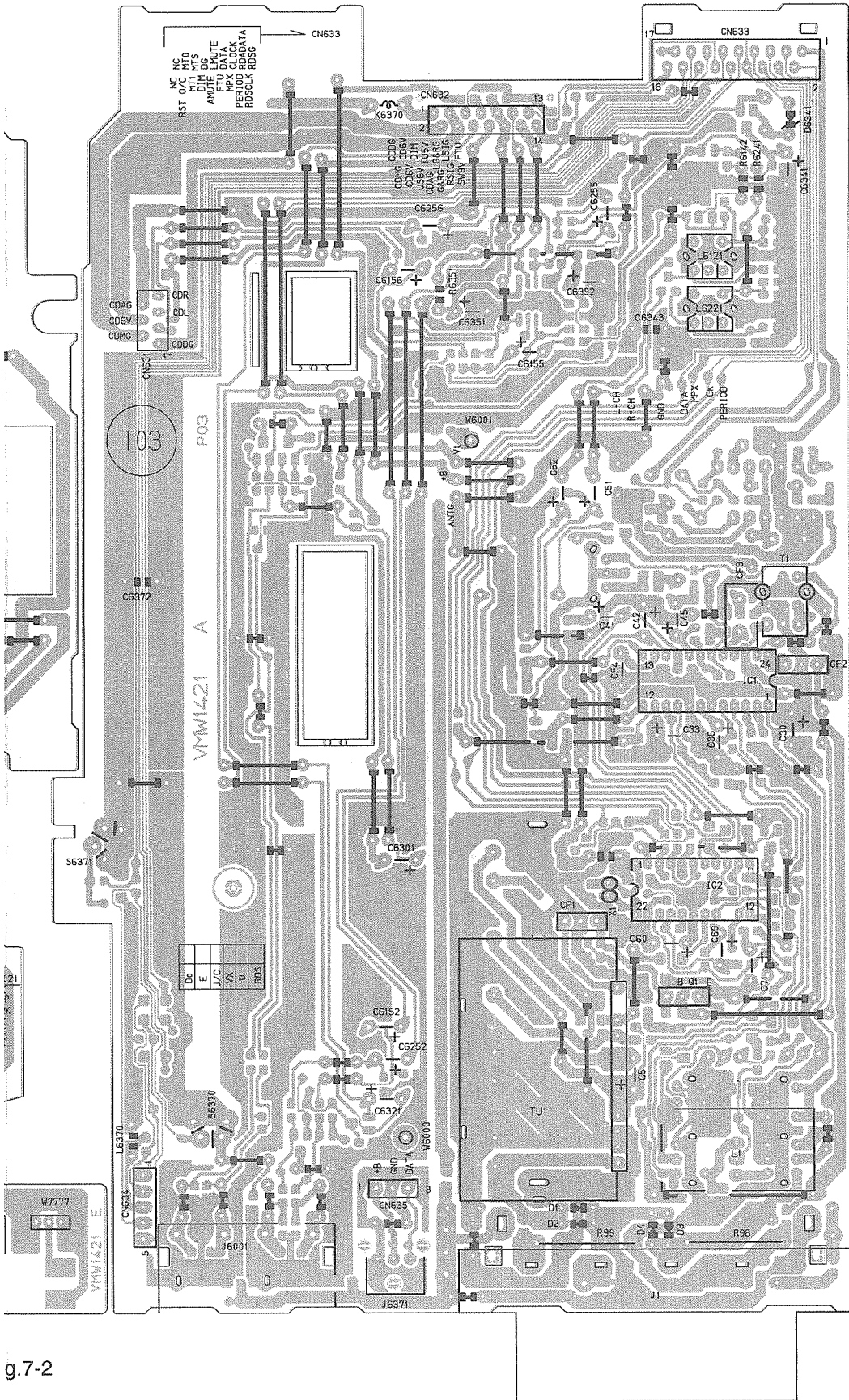
6

7

8

9

10



← Tuner Function Board

1 2 3 4 5

■ CD Servo Control Board : Block No. 03

A

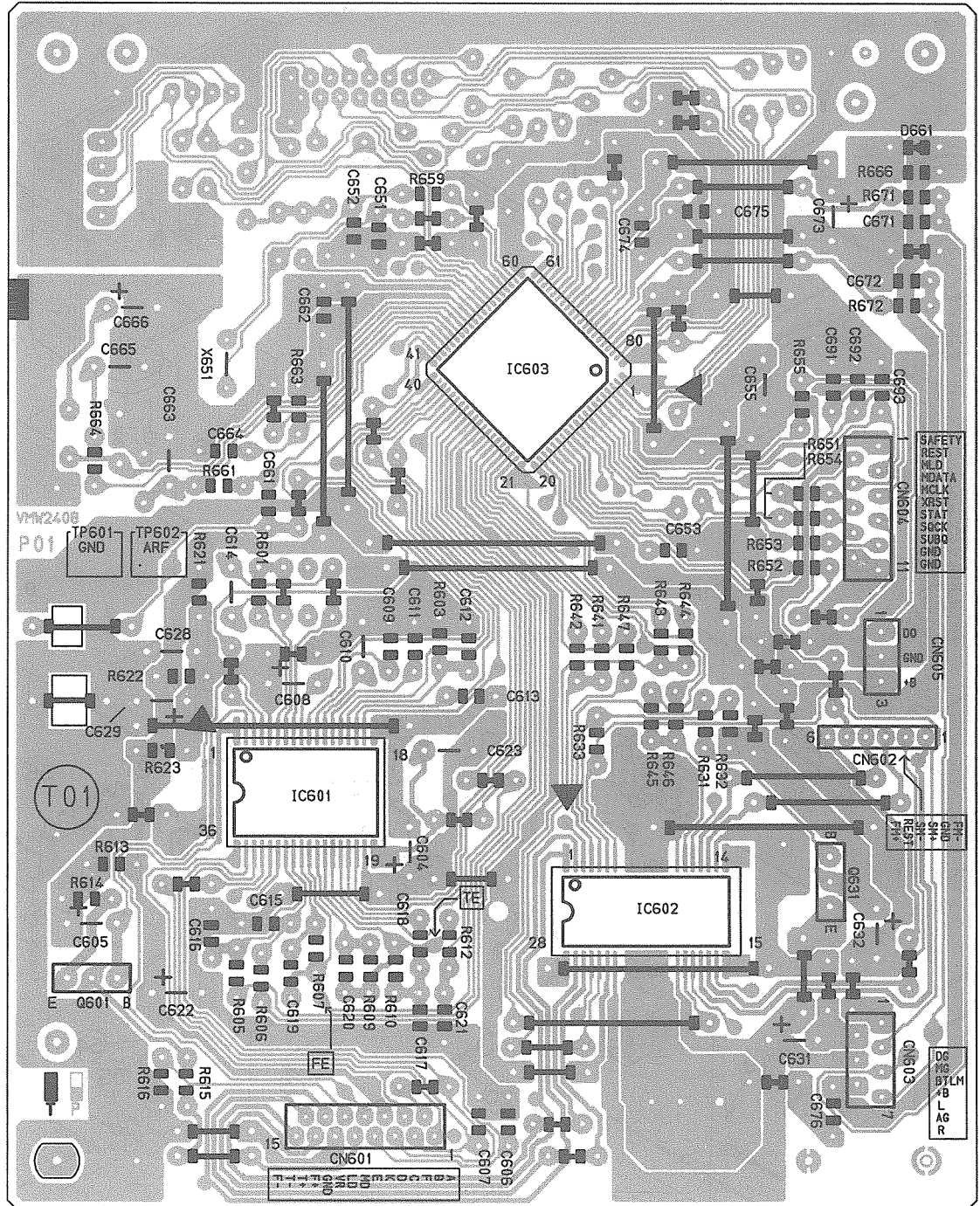
B

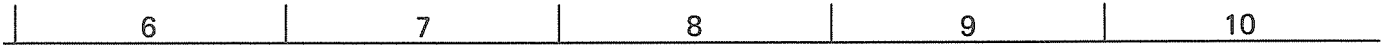
C

D

E

F





8. Analytic Drawing and Parts List

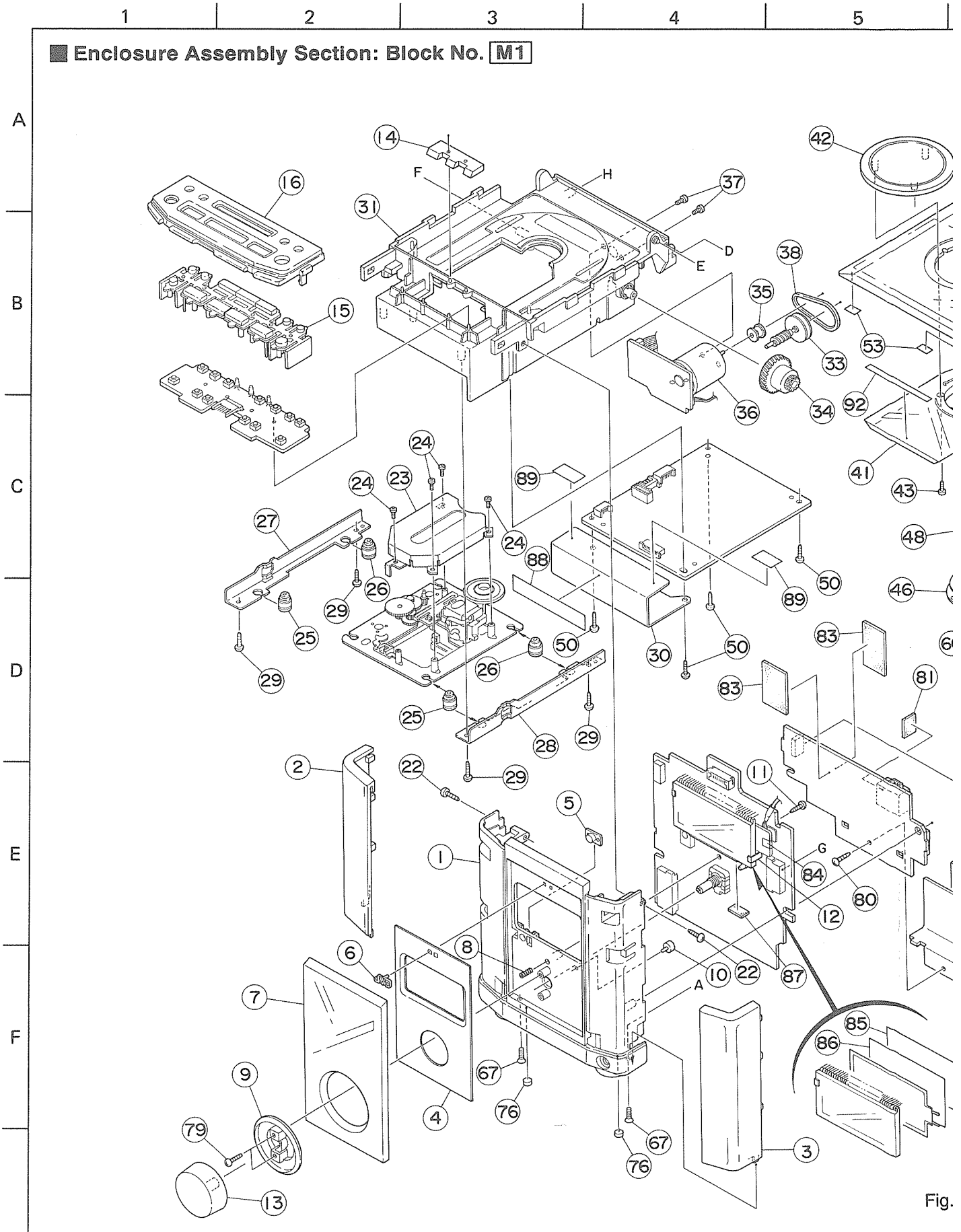


Fig.

6

7

8

9

10

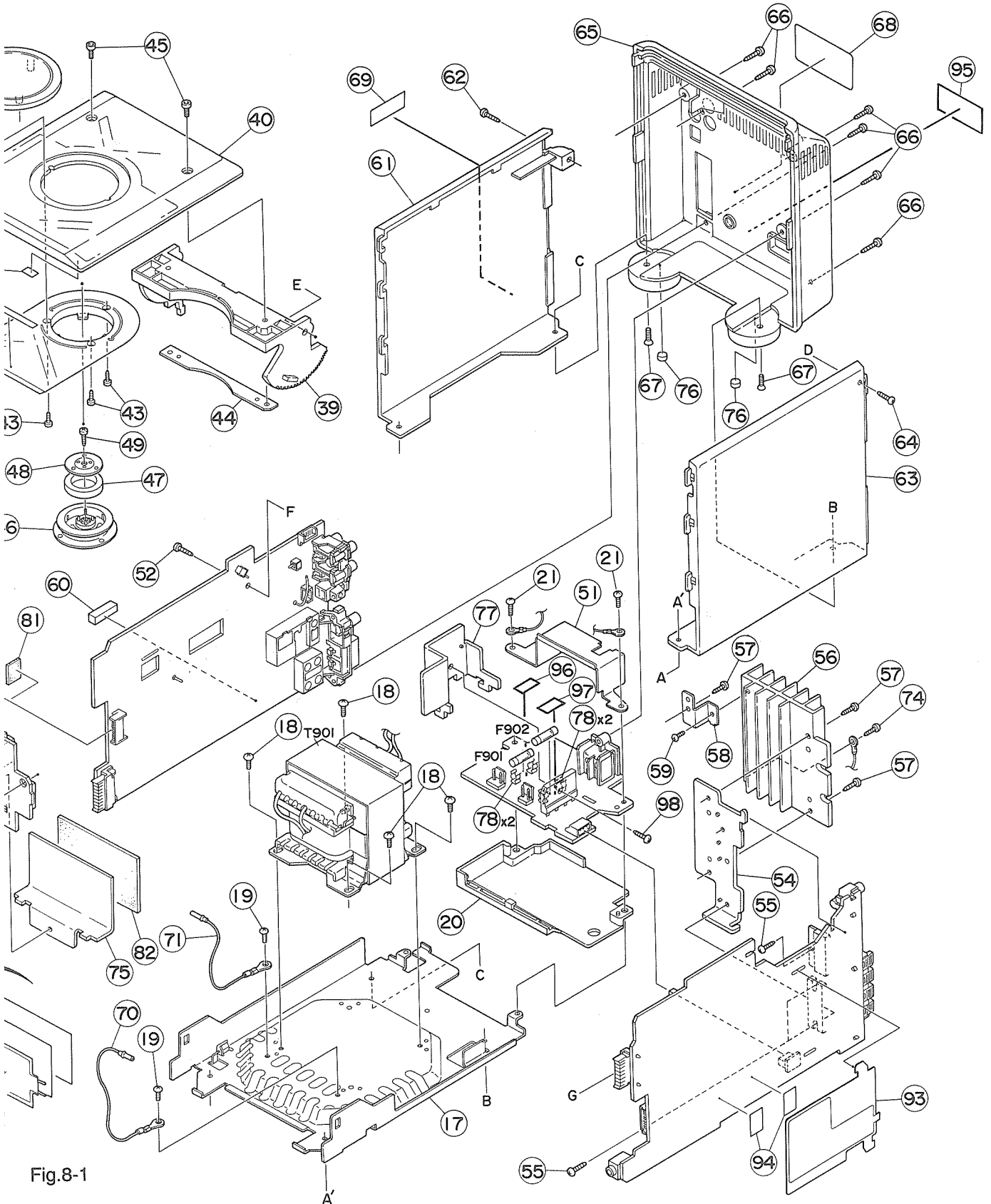


Fig.8-1

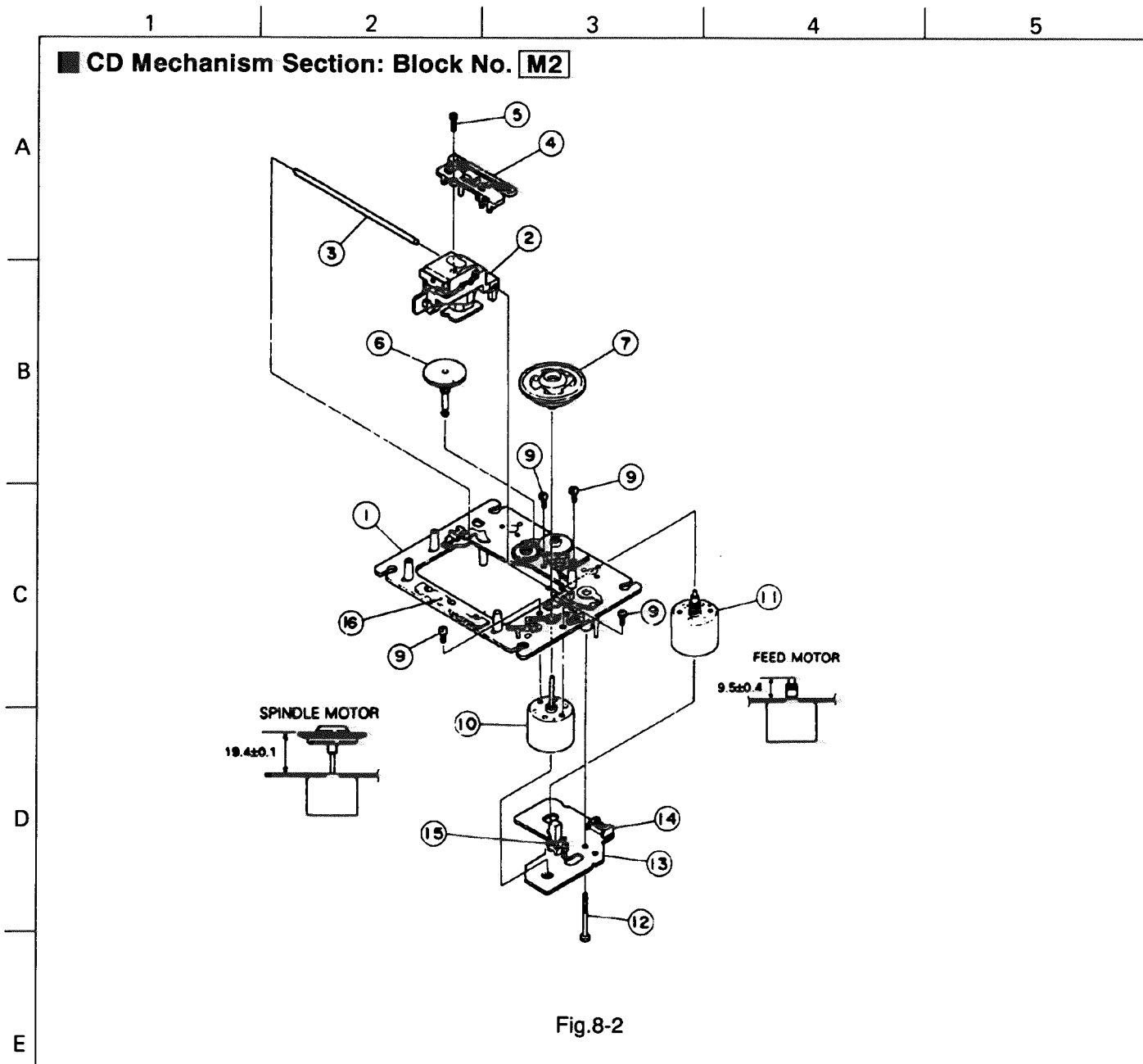
Enclosure Assembly Parts List

BLOCK NO. M1000

REF.	PARTS NO.	PARTS NAME	REMARKS	QTY	SUFFIX	CLR
1	VJG1426-010UL	FRONT PANEL		1		
2	VJE3006-002SC	FITTING (L)		1		
3	VJE3007-002SC	FITTING (R)		1		
4	VJD5492-002	PLATE		1		
5	E408131-001	REMOTE LENS		1		
6	E72968-001	JVC MARK		1		
7	VJK3699-002	FRONT LENS		1		
8	VKW3001-321	COMP. SPRING		1		
9	VJD5491-002	VOL ESCUTCHEON		1		
10	VJK4493-001SC	LENS(STANDBY)		1		
11	SBSF3012Z	SCREW	FOR PWB+FRONT	1		
12	VYH3944-002	L.C.D.HOLDER		1		
13	VXL4448-002SC	VOLUME KNOB		1		
14	VJK4490-001SC	LED LENS		1		
15	VXP3807-002SC	BUTTON		1		
16	VJD2470-002SC	TOP PANEL		1		
17	VKL1444-001SC	BOTTOM CHASSIS		1		
18	SBST4006Z	SCREW	FOR TRANS	4		
19	SBST3004Z	SCREW	FOR BOTTOM SHAS	2		
20	VYH3939-001SC	AC HOLDER		1		
21	SBST3008Z	SCREW	AC PWB BARRIER	2		
22	SBSF3012Z	SCREW	FOR FRONT PANEL	2		
23	VJD5410-005	PICK COVER		1		
24	SDSF2006M	SCREW	FOR CD MECHA	4		
25	E75609-001	INSULATOR		2		
26	E75609-002	INSULATOR		2		
27	VYH8089-001SC	CD MECHA HOLDER		1		
28	VYH8089-002SC	CD MECHA HOLDER		1		
29	SBSF3012Z	SCREW	CD MECHA HOLDER	4		
30	VMA4692-002SC	SHIELD		1		
31	VJD1210-003UL	CD CASE		1		
33	VYH8090-001SC	GEAR 1		1		
34	VYH8091-002SC	GEAR 2		1		
35	VYH7699-001	PULLEY		1		
36	MXN-13FB12F	DC MOTOR ASS'Y		1		
37	SPSP3004Z	SCREW	CD CASE+MOTOR	2		
38	VKB3000-170	BELT		1		
39	VJE3014-001SC	CD DOOR		1		
40	VJE3011-001	CD DOOR LENS		1		
41	VJK3701-001SC	ILLUMI LENS		1		
42	VJD5489-006	ORNAMENT		1		
43	SDSF2006M	SCREW		3		
44	VJD5490-001SC	STOPPER		1		
45	VKZ4765-001	S.BOLT(DIN)		2		
46	VYH3726-001SS	CLAMPER		1		
47	VYH7313-003	MAGNET		1		
48	VYH7677-201	YOKE		1		
49	SDSF2606Z	SCREW	FOR CLAMPER	1		
50	SBSF3012Z	SCREW	CD CASE+CD PWB	4		
51	VMA4701-001	BARRIER	FOR AC PWB	1		
52	SBSF3012Z	SCREW	FOR TUNNER PWB	1		
53	VYSS1R1-108	SPACER	FOR DOOR LENS	2		
54	VYH8093-001SC	IC HOLDER		1		
55	SBSF3010Z	SCREW	FOR IC HOLDER	3		
56	VMH3017-201	HEAT SINK		1		

BLOCK NO. M1MM

REF.	PARTS NO.	PARTS NAME	REMARKS	QTY	SUFFIX	CLR
57	SBSF3012Z	SCREW	H.SINK+IC HOLDE	3		
58	VYH8107-001	BRACKET	FOR H.SINK	1		
59	SBST3008Z	SCREW	H.SINK+BRACKET	1		
60	VYSH104-047	SPACER	FOR TUNNER PWB	1		
61	VJD2471-003UL	SIDE PANEL (L)		1		
62	SBSF3012Z	SCREW	SIDE PANEL(L)	1		
63	VJD2472-003UL	SIDE PANEL (R)		1		
64	SBSF3012Z	SCREW	SIDE PANEL(R)	1		
65	VJG1430-003UL	REAR COVER		1		
66	SBSF3012Z	SCREW	FOR REAR COVER	6		
67	SSST3010Z	SCREW	FOR BOTTOM	4		
68	VYN9291-C206	NAME PLATE	FOR REAR COVER	1		
69	VND5001-011	HHS LABEL	FOR SIDE PANEL	1		
70	VWE240-12NTSA	LUG WIRE	FOR BOTTOM SHAS	1		
71	VWE240-10NTSA	LUG WIRE	FOR BOTTOM SHAS	1		
75	VMA4706-002SC	SHIELD	FOR LCD PWB	1		
76	VJF4055-001	FOOT		4		
77	VYH8094-002SC	HEAT SINK		1		
78	EMG7331-003Z	FUSE CLIP	FOR F901,F902	4		
79	SBSF3012Z	SCREW	FOR VOL.ESUTC	2		
80	SBSF3010Z	SCREW	FOR LCD PWB	1		
81	VYSR102-062	SPACER	FOR LCD PWB	1		
82	VYSR102-068	SPACER	FOR LCD SHIELD	1		
83	VYSR102-067	SPACER	FOR LCD PWB	2		
84	PU59915-105	SPACER	FOR EL	1		
85	VYSS1R1-109	SPACER	FOR EL	1		
86	VYSS1R1-110	SPACER	FOR EL	1		
87	VYSS1R5-080	SPACER	FOR LCD	1		
88	VYSA1R4-056	SPACER	FOR SHIELD	3		
89	VYSA1R6-021	SPACER	FOR SHIELD	2		
92	VYST1R1-003	SPACER	FOR ILLUMI LENS	1		
93	VMA4702-002	SHIELD	FOR MAIN PWB	1		
94	PU59915-105	SPACER	FOR MAIN PWB	2		
95	VND5008-001	FCC LABEL(4)		1		
96	VND4003-020	FUSE LABEL		1		
97	VND4003-047	FUSE LABEL		1		
98	SBSF3010Z	SCREW	FOR HEAT SINK	1		
△ F 901	QMF51N2-R80J1	FUSE	PRI	1		
△ F 902	QMF0007-6R3J1	FUSE	SEC	1		
△ T 901	VTP66A2-12K	POWER TRANS		1		



CD Mechanism Parts List

BLOCK NO. **M2MM**

Δ REF.	PARTS NO.	PARTS NAME	REMARKS	QTY	SUFFIX	CLR
1	EPB-002A	BASE ASS'Y		1		
2	OPTIMA-6S	PIC-UP		1		
3	E406777-001	GUIDE SHAFT		1		
4	E307746-001	CD RACK		1		
5	SDSF2006Z	SCREW	CD LACK ASS'Y	1		
6	EPB-003A	MECHA GIAR		1		
7	E75807-301	CD T.TABLE ASSY		1		
9	SDSP2003N	SCREW	FOR MOTOR	4		
10	E406783-001	SP MOTOR	SPINDL MOTOR	1		
11	E406784-001SA	DC MOTOR ASS'Y	FEED MOTOR	1		
12	E75832-001	S.SCREW	M.REAF SWITCH	1		
13	EMW10190-001	BOARD	LEAF SWITCH	1		
14	EMV5109-006B	6P PLUG ASSY		1		
15	ESB1100-005	LEAF SWITCH		1		
16	E407212-001	DAMPER		1		

9. Electrical Parts List

■ Main Amplifier Board

A	REF.	PARTS NO.	PARTS NAME	REMARKS	SUFFIX
A	C 901	QFN81HJ-683	M CAPACITOR	.068MF 5% 50V	
A	C 902	QFN81HJ-683	M CAPACITOR	.068MF 5% 50V	
A	C 903	QFN81HJ-683	M CAPACITOR	.068MF 5% 50V	
A	C 904	QFN81HJ-683	M CAPACITOR	.068MF 5% 50V	
A	CN300	EMV7163-06Z	CONNECTOR		
A	CN301	VMC0075-002	CONNECTOR	CD DOOR	
A	CN302	VMC0340-S16	CONNECTOR	MICOM	
A	CN303	VMC0314-P14	CONNECTOR	EL/TU/CONN	
A	CN351	VMZ0015-002	POST PIN	SHARSHI EARTH	
A	CN371	VMZ0015-011	STYLE PIN	WR352 WIRE CLAM	
A	CN373	VMZ0015-011	STYLE PIN	WR352 WIRE CLAM	
A	CN901	VMZ0049-B02	CONNECTOR	PRI	
A	CN902	VMZ0049-A02	CONNECTOR	SEC	
A	CN903	EMV5163-064R	CONNECTOR	MAIN	
A	C1001	QCB11HK-331Y	C-CAPACITOR	330PF 10% 50V	
A	C1002	QCC11EM-104V	C-CAPACITOR	.10MF 20% 25V	
A	C1003	QCC11EM-104V	C-CAPACITOR	.10MF 20% 25V	
A	C1006	QTE1V06-106Z	E-CAPACITOR	.47MF 5% 50V	
A	C1021	QFN81HJ-683	M CAPACITOR	100PF 5% 50V	
A	C1022	QFN81HJ-683	M CAPACITOR	.056MF 5% 50V	
A	C1024	QTE1C06-476Z	E CAP. SILMIC	.056MF 5% 50V	
A	C1025	QTE1V06-106Z	E-CAPACITOR	.47MF 5% 50V	
A	C1026	QFV41HJ-474	FILM CAPACITOR	100PF 5% 50V	
A	C1051	QCS11HJ-101	C-CAPACITOR	.056MF 5% 50V	
A	C1082	QFLC1HJ-563	M-CAPACITOR	.056MF 5% 50V	
A	C1083	QFLC1HJ-563	M-CAPACITOR	.056MF 5% 50V	
A	C1084	QFLC1HJ-472ZM	M-CAPACITOR	.47MF 5% 50V	
A	C1087	EFZ0101-392S	P.-P. CAPACITOR	4700PF 5% 50V	
A	C1088	QTE1V06-106Z	E-CAPACITOR	.056MF 5% 50V	
A	C1089	QTE1V06-106Z	E-CAPACITOR	.056MF 5% 50V	
A	C2001	QCB11HK-331Y	C-CAPACITOR	330PF 10% 50V	
A	C2002	QCC11EM-104V	C-CAPACITOR	.10MF 20% 25V	
A	C2003	QCC11EM-104V	C-CAPACITOR	.10MF 20% 25V	
A	C2006	QTE1V06-106Z	E-CAPACITOR	.056MF 5% 50V	
A	C2021	QFN81HJ-683	M CAPACITOR	.068MF 5% 50V	
A	C2022	QFN81HJ-683	M CAPACITOR	.068MF 5% 50V	
A	C2024	QTE1C06-476Z	E CAP. SILMIC	.056MF 5% 50V	
A	C2025	QTE1V06-106Z	E-CAPACITOR	.47MF 5% 50V	
A	C2026	QFV41HJ-474	FILM CAPACITOR	100PF 5% 50V	
A	C2051	QCS11HJ-101	C-CAPACITOR	.056MF 5% 50V	
A	C2082	QFLC1HJ-563	M-CAPACITOR	.056MF 5% 50V	
A	C2083	QFLC1HJ-563	M-CAPACITOR	.056MF 5% 50V	
A	C2084	QFLC1HJ-472ZM	M-CAPACITOR	.47MF 5% 50V	
A	C2087	EFZ0101-392S	P.-P. CAPACITOR	4700PF 5% 50V	
A	C2088	QTE1V06-106Z	E-CAPACITOR	.056MF 5% 50V	
A	C2089	QTE1V06-106Z	E-CAPACITOR	.056MF 5% 50V	
A	C3001	QETM1EM-828	E-CAPACITOR	8200MF 20% 25V	
A	C3002	QFLC1HJ-104ZM	M-CAPACITOR	.10MF 5% 50V	
A	C3003	QET41EM-107	E-CAPACITOR	100MF 20% 25V	
A	C3004	EE1C1AM-337E	E-CAPACITOR	.33MF 20% 10V	
A	C3005	QETC1AM-336ZM	E-CAPACITOR	2.2MF 20% 50V	
A	C3021	QER41CM-476M	E-CAPACITOR	47MF 20% 16V	
A	C3022	QTE1C06-226Z	E CAP. SILMIC	.47MF 20% 16V	
A	C3051	QER41HM-105VM	E-CAPACITOR	1.0MF 20% 50V	

BLOCK NO. 01111111

A	REF.	PARTS NO.	PARTS NAME	REMARKS	SUFFIX
A	C3032	QER41HM-105VM	E-CAPACITOR	1.0MF 20% 50V	
A	C3033	QFV71HJ-563ZM	FILM CAPACITOR	.056MF 5% 50V	
A	C3034	QFV71HJ-563ZM	FILM CAPACITOR	.056MF 5% 50V	
A	C3035	QET41HM-105	E CAPACITOR	1.0MF 20% 50V	
A	C3036	QET41CM-106	E CAPACITOR	10MF 20% 16V	
A	C3037	QET41CM-106	E CAPACITOR	10MF 20% 16V	
A	C3041	QER41CM-106	E-CAPACITOR	10MF 20% 16V	
A	C3051	QET41AM-107	E CAPACITOR	100MF 20% 10V	
A	C3052	QET41CM-226	E CAPACITOR	22MF 20% 16V	
A	C3053	QET41CM-106	E CAPACITOR	10MF 20% 16V	
A	C3081	QET41AM-227	E CAPACITOR	220MF 20% 10V	
A	C3083	QET41HM-474	E CAPACITOR	.47MF 20% 50V	
A	C3084	QET41HM-474	E CAPACITOR	.47MF 20% 50V	
A	C3085	QET41HM-474	E CAPACITOR	.47MF 20% 50V	
A	C3086	EE1B1CM-106E	E.CAPA. I.M	.47MF 20% 50V	
A	C3087	QET41EM-106	E CAPACITOR	10MF 20% 25V	
A	C3088	QER41CM-106	E-CAPACITOR	10MF 20% 16V	
A	C3501	QCS11HJ-330	C-CAPACITOR	33PF 5% 50V	
A	C3502	QCS11HJ-201	C-CAPACITOR	200PF 5% 50V	
A	C3503	QCS11HJ-201	C-CAPACITOR	200PF 5% 50V	
A	C3504	QFN41HJ-473	M CAPACITOR	.047MF 5% 50V	
A	C3505	QFLC1HJ-473ZM	M-CAPACITOR	.047MF 5% 50V	
A	C3507	QCB11HK-271Y	C-CAPACITOR	270PF 10% 50V	
A	C3508	QCS11HJ-680	C-CAPACITOR	68PF 5% 50V	
A	C9001	QFV41HJ-104ZM	FILM CAPACITOR	.10MF 5% 50V	
A	C9002	QET41EM-107	E CAPACITOR	100MF 20% 25V	
A	C9101	QET41HM-474	E CAPACITOR	.47MF 20% 50V	
A	C9102	QET41EM-106	E CAPACITOR	10MF 20% 25V	
A	C9103	QET41HM-105	E CAPACITOR	1.0MF 20% 50V	
A	C9201	QET41CM-106	E CAPACITOR	10MF 20% 16V	
A	C9202	QETC1CM-337ZM	E CAPACITOR	330MF 20% 16V	
A	C9203	QET41CM-476	E CAPACITOR	47MF 20% 16V	
A	C9301	QFLC1HJ-104ZM	M-CAPACITOR	.10MF 5% 50V	
A	C9302	QET41EM-106	E CAPACITOR	10MF 20% 25V	
A	D3021	MTZ4.3JB	ZENER DIODE		
A	D3031	1SS133	SI DIODE		
A	D3032	1SS133	SI DIODE		
A	D3033	1SS133	SI DIODE		
A	D3034	1SS133	SI DIODE		
A	D3501	1SS133	SI DIODE		
A	D3502	1SS133	SI DIODE		
A	D3511	RB721Q	DIODE		
A	D9001	MTZ10JAT-77	ZENER DIODE		
A	D9002	1SR35-100	SI DIODE		
A	D9101	MA6075(M)	ZENER DIODE		
A	D9201	MTZ6-8JB	ZENER DIODE		
A	D9202	MTZ5.1JB	ZENER DIODE		
A	D9301	1SS133	SI DIODE		
A	D9302	MTZ8.2JB	ZENER DIODE		
A	D9303	1SS133	SI DIODE		
A	IC 31	LA2705NA	IC	POWER AMP	
A	IC 32	NJM4580LD	IC	AHB AMP	
A	IC 35	NJM4580L	IC		
A	IC 38	BH3852S	IC	E VOL	
A	IC 91	D5SBA20-4101	SI DIODE		

BLOCK NO. 01111111

A REF.	PARTS NO.	PARTS NAME	REMARKS	SUFFIX
R2025	QRD161J-153	CARBON RESISTOR	15K 5% 1/6W	
R2027	QRD161J-155	CARBON RESISTOR	15K 5% 1/6W	
R2028	QRD161J-472	CARBON RESISTOR	4.7K 5% 1/6W	
R2029	QRD161J-472	CARBON RESISTOR	4.7K 5% 1/6W	
R2031	QRD161J-223	CARBON RESISTOR	22K 5% 1/6W	
R2032	QRD161J-223	CARBON RESISTOR	22K 5% 1/6W	
R2033	QRD161J-103	CARBON RESISTOR	10K 5% 1/6W	
R2034	QRD161J-123	CARBON RESISTOR	12K 5% 1/6W	
R2041	QRD161J-472	CARBON RESISTOR	4.7K 5% 1/6W	
R2051	QRD161J-473	CARBON RESISTOR	4.7K 5% 1/6W	
R2052	QRD161J-475	CARBON RESISTOR	4.7M 5% 1/6W	
R2082	QRD161J-512	CARBON RESISTOR	5.1K 5% 1/6W	
R2083	QRD161J-162	CARBON RESISTOR	1.6K 5% 1/6W	
R2085	QRD161J-272	CARBON RESISTOR	2.7K 5% 1/6W	
R2086	QRD161J-182	CARBON RESISTOR	1.8K 5% 1/6W	
R2087	QRD161J-103	CARBON RESISTOR	10K 5% 1/6W	
R2088	QRD161J-333	CARBON RESISTOR	33K 5% 1/6W	
R2089	QRD161J-224	CARBON RESISTOR	220K 5% 1/6W	
R3001	QRD161J-103	CARBON RESISTOR	10K 5% 1/6W	
R3021	QRD161J-101	CARBON RESISTOR	100 5% 1/6W	
R3022	QRD161J-152	CARBON RESISTOR	1.5K 5% 1/6W	
R3031	QRD161J-472	CARBON RESISTOR	4.7K 5% 1/6W	
R3032	QRD161J-472	CARBON RESISTOR	4.7K 5% 1/6W	
R3033	QRD161J-124	CARBON RESISTOR	120K 5% 1/6W	
R3034	QRD161J-154	CARBON RESISTOR	150K 5% 1/6W	
R3035	QRD161J-223	CARBON RESISTOR	22K 5% 1/6W	
R3036	QRD161J-51K	CARBON RESISTOR	51K 5% 1/6W	
R3051	QRD161J-101	CARBON RESISTOR	100 5% 1/6W	
R3052	QRD161J-103	CARBON RESISTOR	10K 5% 1/6W	
R3053	QRD161J-103	CARBON RESISTOR	10K 5% 1/6W	
R3054	QRD161J-473	CARBON RESISTOR	47K 5% 1/6W	
R3055	QRD161J-224	CARBON RESISTOR	220K 5% 1/6W	
R3056	QRD161J-331	CARBON RESISTOR	330 5% 1/6W	
R3081	QRD161J-101	CARBON RESISTOR	100 5% 1/6W	
R3082	QRD161J-124	CARBON RESISTOR	120K 5% 1/6W	
R3083	QRD161J-154	CARBON RESISTOR	150K 5% 1/6W	
R3084	QRD161J-124	CARBON RESISTOR	120K 5% 1/6W	
R3085	QRD161J-272	CARBON RESISTOR	2.7K 5% 1/6W	
R3086	QRD161J-103	CARBON RESISTOR	10K 5% 1/6W	
R3501	QRD161J-473	CARBON RESISTOR	4.7K 5% 1/6W	
R3502	QRD161J-822	CARBON RESISTOR	8.2K 5% 1/6W	
R3503	QRD161J-102	CARBON RESISTOR	1.0K 5% 1/6W	
R3504	QRD161J-102	CARBON RESISTOR	1.0K 5% 1/6W	
R3505	QRD161J-475	CARBON RESISTOR	4.7M 5% 1/6W	
R3507	QRD161J-224	CARBON RESISTOR	220K 5% 1/6W	
R3508	QRD161J-334	CARBON RESISTOR	330K 5% 1/6W	
R3509	QRD161J-224	CARBON RESISTOR	220K 5% 1/6W	
R3510	QRD161J-474	CARBON RESISTOR	470K 5% 1/6W	
R3511	QRD161J-104	CARBON RESISTOR	100K 5% 1/6W	
R3512	QRD161J-152	CARBON RESISTOR	1.5K 5% 1/6W	
R9001	QRD161J-183	CARBON RESISTOR	18K 5% 1/6W	
R9002	QRD167J-332	CARBON RESISTOR	3.3K 5% 1/6W	
R9003	QRD161J-103	CARBON RESISTOR	10K 5% 1/6W	
R9004	QRD161J-391	CARBON RESISTOR	390 5% 1/6W	
R9102	QRD161J-221	CARBON RESISTOR	220 5% 1/6W	

BLOCK NO. 01111111

A REF.	PARTS NO.	PARTS NAME	REMARKS	SUFFIX
IC901	BA3960	IC	REG	
IC951	K1A78S06P-T	IC		
J 901	GNCO002-001	AC SOCKET		
J3002	VMJ3020-101	1PIN PINJ BLACK	SUB WOOFER	
J3003	FMMJ4001-001	SPK TERMINAL	SPEAKER	
J3004	QMS3L60-E40G	3.5 JACK	HEADPHONE	
L3001	VGP0018-470	INDUCTOR		
L9001	VGP0033-100Z	INDUCTOR		
Q1031	KTC3199(GL)-T	TRANSISTOR		
Q1041	2SD2144S(VW)	TRANSISTOR		
Q1051	2SK301(P,Q)	TRANSISTOR		
Q2031	KTC3199(GL)-T	TRANSISTOR		
Q2041	2SD2144S(VW)	TRANSISTOR		
Q2051	2SK301(P,Q)	TRANSISTOR		
Q3041	KRA101M-T	TRANSISTOR		
Q3081	2SD2144S(VW)	TRANSISTOR	BASS MUTE	
Q3501	KTC3199(GL)-T	TRANSISTOR		
Q3502	KTC3199(GL)-T	TRANSISTOR		
Q3511	DTC144MSTP	TRANSISTOR		
Q9001	KTC3199(GL)-T	TRANSISTOR		
Q9201	2SD882(P,Q)	TRANSISTOR		
Q9202	KRA107M-T	TRANSISTOR		
R 901	QRZ9037-225	COMP RESISTOR	2.2M 1/0W	
R1001	QRD161J-2R2	CARBON RESISTOR	2.2 5% 1/6W	
R1002	QRD161J-2R2	CARBON RESISTOR	2.2 5% 1/6W	
R1003	QRD161J-151	CARBON RESISTOR	150 5% 1/6W	
R1004	QRD161J-471	CARBON RESISTOR	470 5% 1/6W	
R1022	QRD161J-224	CARBON RESISTOR	220K 5% 1/6W	
R1023	QRD161J-222	CARBON RESISTOR	2.2K 5% 1/6W	
R1024	QRD161J-202	CARBON RESISTOR	2.0K 5% 1/6W	
R1025	QRD161J-153	CARBON RESISTOR	15K 5% 1/6W	
R1027	QRD161J-153	CARBON RESISTOR	15K 5% 1/6W	
R1028	QRD161J-472	CARBON RESISTOR	4.7K 5% 1/6W	
R1029	QRD161J-472	CARBON RESISTOR	4.7K 5% 1/6W	
R1031	QRD161J-223	CARBON RESISTOR	22K 5% 1/6W	
R1032	QRD161J-223	CARBON RESISTOR	22K 5% 1/6W	
R1033	QRD161J-103	CARBON RESISTOR	10K 5% 1/6W	
R1034	QRD161J-123	CARBON RESISTOR	12K 5% 1/6W	
R1041	QRD161J-472	CARBON RESISTOR	4.7K 5% 1/6W	
R1051	QRD161J-473	CARBON RESISTOR	4.7K 5% 1/6W	
R1052	QRD161J-475	CARBON RESISTOR	4.7M 5% 1/6W	
R1082	QRD161J-512	CARBON RESISTOR	5.1K 5% 1/6W	
R1083	QRD161J-162	CARBON RESISTOR	1.6K 5% 1/6W	
R1085	QRD161J-272	CARBON RESISTOR	2.7K 5% 1/6W	
R1086	QRD161J-182	CARBON RESISTOR	1.8K 5% 1/6W	
R1087	QRD161J-103	CARBON RESISTOR	10K 5% 1/6W	
R1088	QRD161J-333	CARBON RESISTOR	33K 5% 1/6W	
R1089	QRD161J-224	CARBON RESISTOR	220K 5% 1/6W	
R2001	QRD161J-2R2	CARBON RESISTOR	2.2 5% 1/6W	
R2002	QRD161J-2R2	CARBON RESISTOR	2.2 5% 1/6W	
R2003	QRD161J-151	CARBON RESISTOR	150 5% 1/6W	
R2004	QRD161J-471	CARBON RESISTOR	470 5% 1/6W	
R2022	QRD161J-224	CARBON RESISTOR	220K 5% 1/6W	
R2023	QRD161J-222	CARBON RESISTOR	2.2K 5% 1/6W	
R2024	QRD161J-202	CARBON RESISTOR	2.0K 5% 1/6W	

BLOCK NO. 0111111

REF.	PARTS NO.	PARTS NAME	REMARKS	SUFFIX
R9103	QRD167J-332	CARBON RESISTOR	3.3K 5% 1/6W	
R9104	QRD161J-103	CARBON RESISTOR	10K 5% 1/6W	
R9105	QRD161J-103	CARBON RESISTOR	10K 5% 1/6W	
R9201	QRD161J-122	CARBON RESISTOR	1.2K 5% 1/6W	
R9202	QRD161J-101	CARBON RESISTOR	100.5% 1/6W	
R9203	QRD161J-220	CARBON RESISTOR	22 5% 1/6W	
R9204	QRD161J-103	CARBON RESISTOR	10K 5% 1/6W	
R9205	QRD161J-103	CARBON RESISTOR	10K 5% 1/6W	
R9301	QRZ0077-4R7X	FUSE RESISTOR	4.7 1/0W	

■ Tuner&System CPU Board

REF.	PARTS NO.	PARTS NAME	REMARKS	SUFFIX
BL701	ESPR10005	EL PANEL(BLUE)	LCD BACK LIGHT	
C 1	NCB21HK-223AY	C CAPACITOR	.022MF 10% 50V	
C 2	NCB21HK-102AY	C CAPACITOR	1000PF 10% 50V	
C 3	NCB21HK-473AY	C CAPACITOR	.047MF 10% 25V	
C 4	NCB21HK-103AY	C CAPACITOR	.010MF 10% 50V	
C 5	QEK41CM-106	E CAPACITOR	10MF 20% 16V	
C 6	NCB21HK-102AY	C CAPACITOR	1000PF 10% 50V	
C 9	NCB21HK-102AY	C CAPACITOR	1000PF 10% 50V	
C 12	NCT21UJ-100AY	C CAPACITOR	10PF 5%	
C 13	NCB21HK-473AY	C CAPACITOR	.047MF 10% 25V	
C 14	NCB21HK-103AY	C CAPACITOR	.010MF 10% 50V	
C 21	NCB21HK-473AY	C CAPACITOR	.047MF 10% 25V	
C 30	QEK41CM-476	E CAPACITOR	47MF 20% 16V	
C 32	NCB21HK-102AY	C CAPACITOR	1000PF 10% 50V	
C 33	QEK61AM-107ZJB	E CAPACITOR	100MF 20% 10V	
C 34	NCB21HK-150AY	C CAPACITOR	15PF 5% 50V	
C 35	NCB21HK-102AY	C CAPACITOR	1000PF 10% 50V	
C 36	QEK41CM-106	E CAPACITOR	10MF 20% 16V	
C 37	NCB21HK-473AY	C CAPACITOR	.047MF 10% 25V	
C 39	NCB21HK-473AY	C CAPACITOR	.047MF 10% 25V	
C 40	NCB21HK-103AY	C CAPACITOR	.010MF 10% 50V	
C 41	QEK41HM-104	E CAPACITOR	.010MF 20% 50V	
C 42	QEK41HM-474	E CAPACITOR	.47MF 20% 50V	
C 44	NCB21HK-221AY	C CAPACITOR	220PF 5% 50V	
C 45	QEK61HM-335ZJB	E CAPACITOR	3.3MF 20% 50V	
C 46	NCB21HK-223AY	C CAPACITOR	.022MF 10% 50V	
C 47	NCB21HK-103AY	C CAPACITOR	.010MF 10% 50V	
C 49	NCB21HK-223AY	C CAPACITOR	.022MF 10% 50V	
C 50	NCB21HK-223AY	C CAPACITOR	.022MF 10% 50V	
C 51	QEK41HM-105	E CAPACITOR	1.0MF 20% 50V	
C 52	QEK41HM-105	E CAPACITOR	1.0MF 20% 50V	
C 60	QEK61AM-107ZJB	E CAPACITOR	100MF 20% 10V	
C 61	NCB21HK-120AY	C CAPACITOR	12PF 5% 50V	
C 62	NCB21HK-120AY	C CAPACITOR	12PF 5% 50V	
C 63	NCB21HK-473AY	C CAPACITOR	.047MF 10% 25V	
C 65	NCB21HK-102AY	C CAPACITOR	1000PF 10% 50V	
C 66	NCB21HK-151AY	C CAPACITOR	150PF 5% 50V	
C 68	NCB21HK-101AY	C CAPACITOR	100PF 5% 50V	
C 69	QEK41HM-225	E CAPACITOR	2.2MF 20% 50V	
C 70	NCB21HK-392AY	C CAPACITOR	3900PF 10% 50V	
C 71	QEK61HM-335ZJB	E CAPACITOR	3.3MF 20% 50V	
C 72	NCB21HK-102AY	C CAPACITOR	1000PF 10% 50V	
C 91	NCB21HK-103AY	C CAPACITOR	.010MF 10% 50V	
CF 1	VCF21SB-108Z	C FILTER	FM IF	
CF 2	VCF21SB-108Z	C FILTER	FM IF	
CF 3	VCF17Z-115Z	CERAMIC FILTER		
CF 4	CMU2-456A05	CERA LOCK		
CN501	VMC0314-S14	CONNECTOR		
CN502	VMC0314-S14	CONNECTOR		
CN503	VMC0075-003	CONNECTOR		
CN631	VMC0163-R07	CONNECTOR		
CN632	VMC0314-P14	CONNECTOR		
CN633	VMC0340-S18	CONNECTOR		
CN634	VMC0041-005	CONNECTOR		
CN635	VMC0040-003	CONNECTOR		

BLOCK NO. 02

REF.	PARTS NO.	PARTS NAME	REMARKS	SUFFIX
CN711	VMC0340-P16	CONNECTOR	TO MAIN	
CN761	VMC0340-P18	CONNECTOR	TO FUNC. TUNER	
CN766	VMC0163-R11	CONNECTOR	TO CD	
CN781	FMV7159-006	CONNECTOR BTOB	TO SW	
CN801	EMV5159-006R	B TO B CONNECTOR	TO MICOM	
C4001	QET41CM-106	E CAPACITOR	10MF 20% 16V	
C4002	QETCOJM-227ZN	E CAPACITOR	220MF 20% 6.3V	
C4003	QET41AN-107	E CAPACITOR	1000PF 20% 10V	
C5301	QET41HM-475	E CAPACITOR	TU SW	
C5302	QET41AN-107	E CAPACITOR	TU SW	
C5901	QET41CM-227	E CAPACITOR	220MF 20% 16V	
C5902	QER61EM-685Z	E.CAPACITOR	6.8MF 20% 25V	
C5903	QFLC1HJ-333ZM	M.CAPACITOR	.033MF 5% 50V	
C5904	QCVB1CM-103Y	C.CAPACITOR	.010MF 20% 16V	
C5905	QCVB1CM-103Y	C.CAPACITOR	.010MF 20% 16V	
C5906	QCB81HK-103Y	C.CAPACITOR	1000PF 10% 50V	
C6121	NCB21HK-122AY	C CAPACITOR	1200PF 10% 50V	
C6122	NCB21HK-332AY	C CAPACITOR	3300PF 10% 50V	
C6151	NCB21HK-100AY	C.CAPACITOR	10PF 5% 50V	
C6152	QER41EM-475VM	E.CAPACITOR	4.7MF 20% 25V	
C6155	QER41EM-475VM	E.CAPACITOR	4.7MF 20% 25V	
C6156	QTE1CO3-106Z	E.CAPACITOR		
C6221	NCB21HK-122AY	C CAPACITOR	1200PF 10% 50V	
C6222	NCB21HK-332AY	C CAPACITOR	3300PF 10% 50V	
C6251	NCB21HK-100AY	C.CAPACITOR	10PF 5% 50V	
C6252	QER41EM-475VM	E.CAPACITOR	4.7MF 20% 25V	
C6255	QER41EM-475VM	E.CAPACITOR	4.7MF 20% 25V	
C6256	QTE1CO3-106Z	E.CAPACITOR		
C6301	QER61HM-684ZM	E.CAPACITOR	.68MF 20% 50V	
C6302	NCB21HK-103AY	C CAPACITOR	.010MF 10% 50V	
C6321	QER41CM-106	E.CAPACITOR	10MF 20% 16V	
C6322	NCB21HK-103AY	C CAPACITOR	.010MF 10% 50V	
C6341	QER41HM-105VM	E.CAPACITOR	1.0MF 20% 50V	
C6343	QCB81HK-151Y	C.CAPACITOR	150PF 10% 50V	
C6351	QER41CM-476M	E.CAPACITOR	4.7MF 20% 16V	
C6352	QTE1V06-106Z	E.CAPACITOR		
C6353	NCB21HK-823AY	C CAPACITOR	.082MF 10% 25V	
C6370	NCB21HK-223AY	C CAPACITOR	.022MF 10% 50V	
C6371	NCB21HK-223AY	C CAPACITOR	.022MF 10% 50V	
C6372	QCB81HK-151Y	C.CAPACITOR	150PF 10% 50V	
C6373	NCB21HK-182AY	C CAPACITOR	1800PF 10% 50V	
C6374	NCB21HK-151AY	C CAPACITOR	150PF 5% 50V	
C6375	NCB21HK-103AY	C CAPACITOR	.010MF 10% 50V	
C6376	NCB21HK-102AY	C CAPACITOR	1000PF 10% 50V	
C7001	NCB21HK-180AY	C CAPACITOR	18PF 5% 50V	
C7002	NCB21HK-180AY	C CAPACITOR	18PF 5% 50V	
C7004	NCB21HK-360AY	C CAPACITOR	36PF 5% 50V	
C7005	NCB21HK-390AY	C CAPACITOR	39PF 5% 50V	
C7006	NCB21HK-200AY	C CAPACITOR	20PF 5% 50V	
C7007	NCB21HK-220AY	C CAPACITOR	22PF 5% 50V	
C7008	NCB21HK-102AY	C CAPACITOR	1000PF 10% 50V	
C7009	NCB21HK-102AY	C CAPACITOR	1000PF 10% 50V	
C7011	QER41AM-107	E.CAPACITOR	100MF 20% 10V	
C7012	QCB21HK-103AY	C CAPACITOR	.010MF 10% 50V	
C7013	QFLC1HJ-104ZM	M.CAPACITOR	.10MF 5% 50V	

BLOCK NO. 02

REF.	PARTS NO.	PARTS NAME	REMARKS	SUFFIX
IC701	UPD78063GF-111	IC	SYSTEM MICON	
IC702	SBX1971-52	RM-RECEIVER		
IC703	KIA78S06P-T	IC		
J	FMB10YV-401K	ANT TERMINAL	AM/FM ANT	
J5701	VCV7003-001	ROTARY ENCODER		
J6001	VNJ3025-001	4PIN JACK ASSY		
J6371	GP1F32T	OPTICAL JACK		
K6370	VQZ0048-007	INDUCTOR		
K7001	VQZ0107-002	INDUCTOR	VSS	
K7003	VQZ0107-002	INDUCTOR		
K8001	VQZ0107-002	INDUCTOR		
L	VQZ0098-202	COIL BLOCK	MW/LW RF/OSC	
L	VQZ0018-221	INDUCTOR		
L	VQZ0028-221Z	INDUCTOR		
L4001	VQZ0107-002	INDUCTOR		
L4002	VQZ0107-002	INDUCTOR		
L5901	VGH1009-04Z	OSC COIL(BIAS)		
L5902	VQZ0033-100Z	INDUCTOR		
L6121	EF0101-010	FILTER		
L6221	EF0101-010	FILTER		
L6370	VQZ0018-100	INDUCTOR		
L7002	VQZ0033-100Z	INDUCTOR	SWSV	
L7332	VQZ0018-4R7	INDUCTOR	AVREF	
L7701	VQZ0018-4R7	INDUCTOR	SDATA	
L7702	VQZ0018-4R7	INDUCTOR	SCK	
L7731	VQZ0033-100Z	INDUCTOR	AVDD	
Q	25C242KK1	TRANSISTOR		
Q	DTA114YKA-X	TRANSISTOR		
Q	25A1037AK(RS)-X	HIP TRANSISTOR		
Q	25A1037AK(RS)-X	HIP TRANSISTOR		
Q4001	25C2412KK1	TRANSISTOR		
Q4002	25C2412KK1	TRANSISTOR		
Q4003	DTIC143TS	TRANSISTOR		
Q5301	KTA1267(YG)-T	TRANSISTOR	TU SW	
Q5302	KTC3199(GL)-T	TRANSISTOR	TU SW	
Q5901	2SD2144S(VW)	TRANSISTOR		
Q5902	KRC102M-T	D-TRANSISTOR	FOR DIMMER	
Q5903	2SA932(L-X)	TRANSISTOR		
Q6101	25C2412KK1	TRANSISTOR		
Q6121	25C2412KK1	TRANSISTOR		
Q6141	25C2412KK1	TRANSISTOR		
Q6201	25C2412KK1	TRANSISTOR		
Q6221	25C2412KK1	TRANSISTOR		
Q6241	25C2412KK1	TRANSISTOR		
Q6301	25C2412KK1	TRANSISTOR		
Q6321	DTA114EKA-X	TRANSISTOR		
Q6341	DTA114EKA-X	TRANSISTOR		
Q7001	25C2412KK1	TRANSISTOR		
Q7002	25C2412KK1	TRANSISTOR	CLOCK SHIFT	
Q7031	25A1037AK(RS)-X	HIP TRANSISTOR	CLOCK SHIFT	
Q7032	DTIC14TKI146	TRANSISTOR	SWSV	
Q7061	25C2412KK1	TRANSISTOR	RESET	
Q7091	25C2412KK1	TRANSISTOR	BACK UP	
Q7092	25A1037AK(RS)-X	HIP TRANSISTOR	POUT SW	
Q7784	DTIC14TKA-X	TRANSISTOR	STANDBY LED CON	
R	1 MRS02J-102NY	MG RESISTOR	TUNER DATA CONT	
			1.0K 5% 1/10W	

BLOCK NO. 02

REF.	PARTS NO.	PARTS NAME	REMARKS	SUFFIX
C7014	GER41CM-106	E-CAPACITOR	10MF 20% 16V	
C7021	GER41CM-476M	E-CAPACITOR	47MF 20% 16V	
C7022	NCB21HK-102AY	C CAPACITOR	1000PF 10% 50V	
C7026	NCB21HK-103AY	C CAPACITOR	.010MF 10% 50V	
C7027	NCB21HK-103AY	C CAPACITOR	.010MF 10% 50V	
C7031	EC50H0473H	E-D.L. CAPA.	10MF 20% 16V	
C7051	GER41CM-106	E-CAPACITOR	2.2MF 20% 50V	
C7052	GER41CM-225	E-CAPACITOR	1000PF 10% 50V	
C7081	NCB21HK-102AY	C CAPACITOR	1000PF 10% 50V	
C7091	GER41AM-107	E-CAPACITOR	100MF 20% 10V	
C7701	NCS21HJ-151AY	C CAPACITOR	150PF 5% 50V	
C7702	NCS21HJ-151AY	C CAPACITOR	150PF 5% 50V	
C7704	NCS21HJ-331AY	C CAPACITOR	330PF 5% 50V	
C7719	NCS21HJ-271AY	C CAPACITOR	270PF 5% 50V	
C7721	NCS21HJ-271AY	C CAPACITOR	270PF 5% 50V	
C7722	NCS21HJ-271AY	C CAPACITOR	270PF 5% 50V	
C7723	NCS21HJ-271AY	C CAPACITOR	270PF 5% 50V	
C7724	NCB21HK-102AY	C CAPACITOR	1000PF 10% 50V	
C7725	NCB21HK-102AY	C CAPACITOR	1000PF 10% 50V	
C7731	NCB21HK-102AY	C CAPACITOR	1000PF 10% 50V	
C7737	NCB21HK-102AY	C CAPACITOR	1000PF 10% 50V	
C7757	GER41HM-225	E-CAPACITOR	2.2MF 20% 50V	
C7758	GER41HM-332M	E-CAPACITOR	3.3MF 20% 50V	
C7759	GER41HM-225	E-CAPACITOR	2.2MF 20% 50V	
C7771	GER41HM-103VM	E-CAPACITOR	1.0MF 20% 50V	
C7773	GER41HM-103VM	E-CAPACITOR	1.0MF 20% 50V	
C7782	NCS21HJ-151AY	C CAPACITOR	150PF 5% 50V	
C7783	NCS21HJ-151AY	C CAPACITOR	150PF 5% 50V	
C7787	NCB21HK-103AY	C CAPACITOR	.010MF 10% 50V	
D	1 1SS133	SI DIODE		
D	2 1SS133	SI DIODE		
D	3 1SS133	SI DIODE		
D	4 1SS133	SI DIODE		
D1701	VGL1208-001S	L.C.D.		
D3301	MTZ3.9JUB	ZENER DIODE	TU SW	
D3302	1SS133	SI DIODE	TU SW	
D3303	1SS133	SI DIODE	TU SW	
D6341	MTZ6.2JUB	ZENER DIODE	US5V	
D7001	1SS133	SI DIODE		
D7011	MTZ8.2JUB	ZENER DIODE		
D7012	1SS133	SI DIODE		
D7031	1SS133	SI DIODE	BACK UP	
D7032	1SS133	SI DIODE	XKILL	
D7051	1SS133	SI DIODE	RESET	
D7061	MTZ5.1JC	ZENER DIODE	BACK UP	
D7091	SLR-342VC-T09	LED RED H8.9MM	STANDBY LED	
D7092	1SS133	SI DIODE		
D7095	1SS133	SI DIODE		
D8101	SLR-342MC-T09	LED GRN. H8.9MM	CD DOOR	
D8102	SLR-342MC-T09	LED GRN. H8.9MM	CD DOOR	
D8103	SLR-481C09-T6	LED	CD DOOR	
IC	1 TA2057N	IC		
IC	2 LC72136	IC		
IC401	TA8409S	IC		
IC666	BA15218F	IC	FUNCTION	

BLOCK NO. 02

REF.	PARTS NO.	PARTS NAME	REMARKS	SUFFIX
R6106	NRSA02J-153NY	MG RESISTOR	15K 5% 1/10W	
R6121	NRSA02J-392NY	MG RESISTOR	3.9K 5% 1/10W	
R6122	NRSA02J-222NY	MG RESISTOR	2.2K 5% 1/10W	
R6123	NRSA02J-102NY	MG RESISTOR	1.0K 5% 1/10W	
R6124	NRSA02J-223NY	MG RESISTOR	22K 5% 1/10W	
R6141	NRSA02J-562NY	MG RESISTOR	5.6K 5% 1/10W	
R6142	GRD161J-392	CARBON RESISTOR	3.9K 5% 1/6W	
R6144	NRSA02J-123NY	MG RESISTOR	12K 5% 1/10W	
R6145	NRSA02J-332NY	MG RESISTOR	3.3K 5% 1/10W	
R6151	NRSA02J-822NY	MG RESISTOR	8.2K 5% 1/10W	
R6152	NRSA02J-154NY	MG RESISTOR	150K 5% 1/10W	
R6152	NRSA02J-333NY	MG RESISTOR	33K 5% 1/10W	
R6156	NRSA02J-124NY	MG RESISTOR	120K 5% 1/10W	
R6157	NRSA02J-103NY	MG RESISTOR	10K 5% 1/10W	
R6201	NRSA02J-224NY	MG RESISTOR	220K 5% 1/10W	
R6202	NRSA02J-623NY	MG RESISTOR	62K 5% 1/10W	
R6203	NRSA02J-153NY	MG RESISTOR	15K 5% 1/10W	
R6204	NRSA02J-222NY	MG RESISTOR	2.2K 5% 1/10W	
R6206	NRSA02J-153NY	MG RESISTOR	15K 5% 1/10W	
R6221	NRSA02J-392NY	MG RESISTOR	3.9K 5% 1/10W	
R6222	NRSA02J-222NY	MG RESISTOR	2.2K 5% 1/10W	
R6224	NRSA02J-102NY	MG RESISTOR	1.0K 5% 1/10W	
R6241	GRD167J-562	CARBON RESISTOR	5.6K 5% 1/6W	
R6242	NRSA02J-392NY	MG RESISTOR	3.9K 5% 1/10W	
R6243	NRSA02J-123NY	MG RESISTOR	12K 5% 1/10W	
R6244	NRSA02J-332NY	MG RESISTOR	3.3K 5% 1/10W	
R6251	NRSA02J-822NY	MG RESISTOR	8.2K 5% 1/10W	
R6252	NRSA02J-154NY	MG RESISTOR	150K 5% 1/10W	
R6252	NRSA02J-333NY	MG RESISTOR	33K 5% 1/10W	
R6256	NRSA02J-124NY	MG RESISTOR	120K 5% 1/10W	
R6257	NRSA02J-103NY	MG RESISTOR	10K 5% 1/10W	
R6301	NRSA02J-103NY	MG RESISTOR	10K 5% 1/10W	
R6341	NRSA02J-223NY	MG RESISTOR	22K 5% 1/10W	
R6351	GRD161J-101	CARBON RESISTOR	100 5% 1/6W	
R6352	NRSA02J-473NY	MG RESISTOR	47K 5% 1/10W	
R6353	NRSA02J-473NY	MG RESISTOR	47K 5% 1/10W	
R6370	NRSA02J-913NY	RESISTOR	91K 5% 1/10W	
R6371	NRSA02J-102NY	MG RESISTOR	1.0K 5% 1/10W	
R6372	NRSA02J-102NY	MG RESISTOR	1.0K 5% 1/10W	
R7005	NRSA02J-822NY	MG RESISTOR	8.2K 5% 1/10W	
R7006	NRSA02J-822NY	MG RESISTOR	8.2K 5% 1/10W	
R7028	NRSA02J-103NY	MG RESISTOR	10K 5% 1/10W	
R7029	NRSA02J-103NY	MG RESISTOR	10K 5% 1/10W	
R7031	GRD161J-331	CARBON RESISTOR	330 5% 1/6W	
R7032	NRSA02J-103NY	MG RESISTOR	10K 5% 1/10W	
R7033	NRSA02J-102NY	MG RESISTOR	1.0K 5% 1/10W	
R7051	NRSA02J-103NY	MG RESISTOR	10K 5% 1/10W	
R7052	NRSA02J-103NY	MG RESISTOR	10K 5% 1/10W	
R7061	NRSA02J-333NY	MG RESISTOR	33K 5% 1/10W	
R7062	NRSA02J-333NY	MG RESISTOR	33K 5% 1/10W	
R7063	NRSA02J-104NY	MG RESISTOR	47K 5% 1/10W	
R7081	NRSA02J-104NY	MG RESISTOR	100K 5% 1/10W	
R7082	NRSA02J-104NY	MG RESISTOR	100K 5% 1/10W	
R7083	NRSA02J-104NY	MG RESISTOR	100K 5% 1/10W	

BLOCK NO. 02

REF.	PARTS NO.	PARTS NAME	REMARKS	SUFFIX
R 2	NRSA02J-820NY	MG RESISTOR	82 5% 1/10W	
R 3	NRSA02J-0R0NY	MG RESISTOR	5% 1/10W	
R 10	NRSA02J-102NY	MG RESISTOR	1.0K 5% 1/10W	
R 12	NRSA02J-102NY	MG RESISTOR	1.0K 5% 1/10W	
R 13	NRSA02J-104NY	MG RESISTOR	100K 5% 1/10W	
R 20	NRSA02J-331NY	MG RESISTOR	330 5% 1/10W	
R 21	NRSA02J-224NY	MG RESISTOR	220K 5% 1/10W	
R 22	NRSA02J-331NY	MG RESISTOR	330 5% 1/10W	
R 23	NRSA02J-370NY	MG RESISTOR	27 5% 1/10W	
R 24	NRSA02J-271NY	MG RESISTOR	270 5% 1/10W	
R 25	NRSA02J-473NY	MG RESISTOR	47K 5% 1/10W	
R 27	NRSA02J-223NY	MG RESISTOR	22K 5% 1/10W	
R 29	NRSA02J-473NY	MG RESISTOR	47K 5% 1/10W	
R 30	NRSA02J-103NY	MG RESISTOR	10K 5% 1/10W	
R 31	NRSA02J-103NY	MG RESISTOR	10K 5% 1/10W	
R 32	NRSA02J-473NY	MG RESISTOR	47K 5% 1/10W	
R 34	NRSA02J-333NY	MG RESISTOR	33K 5% 1/10W	
R 35	NRSA02J-333NY	MG RESISTOR	33K 5% 1/10W	
R 36	NRSA02J-103NY	MG RESISTOR	10K 5% 1/10W	
R 37	NRSA02J-472NY	MG RESISTOR	4.7K 5% 1/10W	
R 38	NRSA02J-392NY	MG RESISTOR	3.9K 5% 1/10W	
R 39	NRSA02J-392NY	MG RESISTOR	3.9K 5% 1/10W	
R 42	NRSA02J-102NY	MG RESISTOR	1.0K 5% 1/10W	
R 43	NRSA02J-102NY	MG RESISTOR	1.0K 5% 1/10W	
R 44	NRSA02J-102NY	MG RESISTOR	1.0K 5% 1/10W	
R 45	NRSA02J-102NY	MG RESISTOR	1.0K 5% 1/10W	
R 48	NRSA02J-102NY	MG RESISTOR	1.0K 5% 1/10W	
R 52	NRSA02J-472NY	MG RESISTOR	4.7K 5% 1/10W	
R 54	NRSA02J-472NY	MG RESISTOR	4.7K 5% 1/10W	
R 55	NRSA02J-182NY	MG RESISTOR	1.8K 5% 1/10W	
R 56	NRSA02J-352NY	MG RESISTOR	3.5K 5% 1/10W	
R 66	NRSA02J-222NY	MG RESISTOR	2.2K 5% 1/10W	
R 69	NRSA02J-103NY	MG RESISTOR	10K 5% 1/10W	
R 98	GRZ9037-225	COMP RESISTOR	2.2M 1/0W	
R 99	GRZ9037-225	COMP RESISTOR	2.2M 1/0W	
R4001	NRSA02J-153NY	MG RESISTOR	15K 5% 1/10W	
R4002	NRSA02J-682NY	MG RESISTOR	6.8K 5% 1/10W	
R4003	GRD161J-3R9S	UNF. C. RESISTOR	3.9 5% 1/4W	
R4004	NRSA02J-103NY	MG RESISTOR	10K 5% 1/10W	
R4005	GRD161J-391	CARBON RESISTOR	390 5% 1/6W	
R4006	GRD161J-151	CARBON RESISTOR	150 5% 1/6W	
R5301	GRD161J-390	CARBON RESISTOR	TU SW	
R5302	GRD161J-102	CARBON RESISTOR	TU SW	
R5303	GRD161J-363	CARBON RESISTOR	TU SW	
R5304	GRD161J-472	CARBON RESISTOR	TU SW	
R5901	GRD161J-270	CARBON RESISTOR	27 5% 1/6W	
R5902	GRD161J-682	CARBON RESISTOR	6.8K 5% 1/6W	
R5903	GRD161J-271	CARBON RESISTOR	270 5% 1/6W	
R5904	GRZ0077-470	F. RESISTOR	47 1/0W	
R5905	GRD167J-562	CARBON RESISTOR	5.6K 5% 1/6W	
R6101	NRSA02J-224NY	MG RESISTOR	220K 5% 1/10W	
R6102	NRSA02J-623NY	MG RESISTOR	62K 5% 1/10W	
R6103	NRSA02J-153NY	MG RESISTOR	15K 5% 1/10W	
R6104	NRSA02J-222NY	MG RESISTOR	2.2K 5% 1/10W	

BLOCK NO. 02

REF.	PARTS NO.	PARTS NAME	REMARKS	SUFFIX
R7762	NRSA02J-153NY	MG RESISTOR	15K 5% 1/10W	
R7763	NRSA02J-222NY	MG RESISTOR	2.2K 5% 1/10W	
R7764	NRSA02J-222NY	MG RESISTOR	2.2K 5% 1/10W	
R7771	NRSA02J-683NY	MG RESISTOR	68K 5% 1/10W	
R7772	NRSA02J-114NYM	RESISTOR	110K 5% 1/10W	
R7773	NRSA02J-114NYM	RESISTOR	110K 5% 1/10W	
R7774	NRSA02J-080NY	MG RESISTOR	5% 1/10W	
R7775	NRSA02J-683NY	MG RESISTOR	68K 5% 1/10W	
R7784	NRSA02J-102NY	MG RESISTOR	1.0K 5% 1/10W	
R7785	NRSA02J-102NY	MG RESISTOR	1.0K 5% 1/10W	
R7819	QR161J-122	CARBON RESISTOR	1.2K 5% 1/6W	
R7821	NRSA02J-102NY	MG RESISTOR	1.0K 5% 1/10W	
R7822	QR161J-122	CARBON RESISTOR	1.2K 5% 1/6W	
R7823	NRSA02J-102NY	MG RESISTOR	1.0K 5% 1/10W	
R8001	NRSA02J-102NY	MG RESISTOR	1.0K 5% 1/10W	
R8002	NRSA02J-102NY	MG RESISTOR	1.0K 5% 1/10W	
R8003	NRSA02J-122NY	MG RESISTOR	1.2K 5% 1/10W	
R8004	NRSA02J-152NY	MG RESISTOR	1.5K 5% 1/10W	
R8005	NRSA02J-222NY	MG RESISTOR	2.2K 5% 1/10W	
R8006	NRSA02J-272NY	MG RESISTOR	2.7K 5% 1/10W	
R8007	NRSA02J-392NY	MG RESISTOR	3.9K 5% 1/10W	
R8008	NRSA02J-562NY	MG RESISTOR	5.6K 5% 1/10W	
R8009	NRSA02J-103NY	MG RESISTOR	10K 5% 1/10W	
R8011	NRSA02J-102NY	MG RESISTOR	1.0K 5% 1/10W	
R8012	NRSA02J-102NY	MG RESISTOR	1.0K 5% 1/10W	
R8020	NRSA02J-823NY	MG RESISTOR	82K 5% 1/10W	
R8021	NRSA02J-123NY	MG RESISTOR	12K 5% 1/10W	
R8101	NRSA02J-271NY	MG RESISTOR	270 5% 1/10W	
R8102	NRSA02J-391NY	MG RESISTOR	390 5% 1/10W	
S6370	VSH1153-002	SWITCH		
S6371	VSH1153-002	SWITCH		
S8001	QS94H11-V12Z	TACT SWITCH		
S8002	QS94H11-V12Z	TACT SWITCH		
S8003	QS94H11-V12Z	TACT SWITCH		
S8004	QS94H11-V12Z	TACT SWITCH		
S8005	QS94H11-V12Z	TACT SWITCH		
S8006	QS94H11-V12Z	TACT SWITCH		
S8007	QS94H11-V12Z	TACT SWITCH		
S8008	QS94H11-V12Z	TACT SWITCH		
S8009	QS94H11-V12Z	TACT SWITCH		
S8010	QS94H11-V12Z	TACT SWITCH		
S8011	QS94H11-V12Z	TACT SWITCH		
S8012	QS94H11-V12Z	TACT SWITCH		
S8013	QS94H11-V12Z	TACT SWITCH		
T 1	VQ17A21-113	IFT		
TU 1	VAF2513-101	FRONT END	FM TU	
W6000	VM70015-005	POST PIN		
W6001	VM70015-002	POST PIN		
X 1	VCK5044-001	CRYSTAL		
X7001	VCK5009-002	CRYSTAL	CLOCK	
X7002	M274.19	CERA LOCK	MAIN CLOCK	

BLOCK NO. 02

REF.	PARTS NO.	PARTS NAME	REMARKS	SUFFIX
R7084	NRSA02J-103NY	MG RESISTOR	10K 5% 1/10W	
R7091	NRSA02J-103NY	MG RESISTOR	10K 5% 1/10W	
R7092	NRSA02J-271NY	MG RESISTOR	270 5% 1/10W	
R7093	NRSA02J-153NY	MG RESISTOR	15K 5% 1/10W	
R7095	NRSA02J-333NY	MG RESISTOR	33K 5% 1/10W	
R7096	NRSA02J-102NY	MG RESISTOR	1.0K 5% 1/10W	
R7097	NRSA02J-103NY	MG RESISTOR	10K 5% 1/10W	
R7098	NRSA02J-103NY	MG RESISTOR	10K 5% 1/10W	
R7641	NRSA02J-473NY	MG RESISTOR	47K 5% 1/10W	
R7701	NRSA02J-102NY	MG RESISTOR	1.0K 5% 1/10W	
R7702	NRSA02J-102NY	MG RESISTOR	1.0K 5% 1/10W	
R7703	NRSA02J-102NY	MG RESISTOR	1.0K 5% 1/10W	
R7704	NRSA02J-103NY	MG RESISTOR	10K 5% 1/10W	
R7705	NRSA02J-103NY	MG RESISTOR	10K 5% 1/10W	
R7706	NRSA02J-103NY	MG RESISTOR	10K 5% 1/10W	
R7711	NRSA02J-222NY	MG RESISTOR	2.2K 5% 1/10W	
R7712	NRSA02J-102NY	MG RESISTOR	1.0K 5% 1/10W	
R7713	NRSA02J-222NY	MG RESISTOR	2.2K 5% 1/10W	
R7715	NRSA02J-222NY	MG RESISTOR	2.2K 5% 1/10W	
R7716	NRSA02J-472NY	MG RESISTOR	4.7K 5% 1/10W	
R7717	NRSA02J-472NY	MG RESISTOR	4.7K 5% 1/10W	
R7718	NRSA02J-222NY	MG RESISTOR	2.2K 5% 1/10W	
R7719	NRSA02J-102NY	MG RESISTOR	1.0K 5% 1/10W	
R7721	NRSA02J-102NY	MG RESISTOR	1.0K 5% 1/10W	
R7722	NRSA02J-102NY	MG RESISTOR	1.0K 5% 1/10W	
R7723	NRSA02J-102NY	MG RESISTOR	1.0K 5% 1/10W	
R7724	NRSA02J-222NY	MG RESISTOR	2.2K 5% 1/10W	
R7725	NRSA02J-222NY	MG RESISTOR	2.2K 5% 1/10W	
R7726	NRSA02J-222NY	MG RESISTOR	2.2K 5% 1/10W	
R7727	NRSA02J-222NY	MG RESISTOR	2.2K 5% 1/10W	
R7729	NRSA02J-103NY	MG RESISTOR	10K 5% 1/10W	
R7731	NRSA02J-222NY	MG RESISTOR	2.2K 5% 1/10W	
R7732	NRSA02J-222NY	MG RESISTOR	2.2K 5% 1/10W	
R7733	NRSA02J-222NY	MG RESISTOR	2.2K 5% 1/10W	
R7734	NRSA02J-222NY	MG RESISTOR	2.2K 5% 1/10W	
R7735	NRSA02J-222NY	MG RESISTOR	2.2K 5% 1/10W	
R7736	NRSA02J-222NY	MG RESISTOR	2.2K 5% 1/10W	
R7737	NRSA02J-222NY	MG RESISTOR	2.2K 5% 1/10W	
R7738	NRSA02J-103NY	MG RESISTOR	10K 5% 1/10W	
R7741	NRSA02J-154NY	MG RESISTOR	150K 5% 1/10W	
R7742	NRSA02J-103NY	MG RESISTOR	10K 5% 1/10W	
R7745	NRSA02J-103NY	MG RESISTOR	10K 5% 1/10W	
R7746	NRSA02J-103NY	MG RESISTOR	10K 5% 1/10W	
R7747	NRSA02J-104NY	MG RESISTOR	100K 5% 1/10W	
R7749	NRSA02J-103NY	MG RESISTOR	10K 5% 1/10W	
R7751	NRSA02J-222NY	MG RESISTOR	2.2K 5% 1/10W	
R7752	NRSA02J-222NY	MG RESISTOR	2.2K 5% 1/10W	
R7753	NRSA02J-222NY	MG RESISTOR	2.2K 5% 1/10W	
R7754	NRSA02J-222NY	MG RESISTOR	2.2K 5% 1/10W	
R7755	NRSA02J-222NY	MG RESISTOR	2.2K 5% 1/10W	
R7756	NRSA02J-222NY	MG RESISTOR	2.2K 5% 1/10W	
R7757	NRSA02J-473NY	MG RESISTOR	47K 5% 1/10W	
R7758	NRSA02J-473NY	MG RESISTOR	47K 5% 1/10W	
R7759	NRSA02J-333NY	MG RESISTOR	33K 5% 1/10W	
R7761	NRSA02J-222NY	MG RESISTOR	2.2K 5% 1/10W	

CD Servo Control Board

BLOCK NO. 03111111

A REF.	PARTS NO.	PARTS NAME	REMARKS	SUFFIX
C 604	QEK61AM-107ZJB	E CAPACITOR	100MF 20% 10V	
C 605	QET41EM-106	E CAPACITOR	10NF 20% 25V	
C 606	QCBBIHK-102Y	C.CAPACITOR	1000PF 10% 50V	
C 607	QCBBIHK-102Y	C.CAPACITOR	1000PF 10% 50V	
C 608	QET41HM-105	E CAPACITOR	1.0MF 20% 50V	
C 609	QCBBIHK-101Y	C.CAPACITOR	100PF 10% 50V	
C 610	QFN41HJ-273	M CAPACITOR	.027MF 5% 50V	
C 611	QCXB1CM-222Y	C.CAPACITOR	2200PF 20% 16V	
C 612	QCXB1CM-103Y	C.CAPACITOR	.010MF 20% 16V	
C 613	QCBBIHK-331Y	C.CAPACITOR	330PF 10% 50V	
C 614	QFLC1HJ-104ZM	M.CAPACITOR	.10MF 5% 50V	
C 615	QCBBIHK-223	C.CAPACITOR	.022MF +80%-20%	
C 616	QCBBIHK-223	C.CAPACITOR	.022MF +80%-20%	
C 617	QCBBIHK-223	C.CAPACITOR	.022MF +80%-20%	
C 618	QCXB1CM-222Y	C.CAPACITOR	2200PF 20% 16V	
C 619	QCBBIHK-271Y	C.CAPACITOR	270PF 10% 50V	
C 620	QCS11HJ-470	C.CAPACITOR	47PF 5% 50V	
C 621	QCBBIHK-821Y	E CAPACITOR	820PF 10% 50V	
C 622	QET41AM-476	E CAPACITOR	47MF 20% 10V	
C 623	QFLC1HJ-104ZM	M.CAPACITOR	.10MF 5% 50V	
C 628	QCC11EM-473V	C.CAPACITOR	.047MF 20% 25V	
C 629	QET41AM-107	E CAPACITOR	100MF 20% 10V	
C 631	QET41AM-477	E CAPACITOR	470MF 20% 10V	
C 632	QEK61AM-107ZJB	E CAPACITOR	100MF 20% 10V	
C 651	QCS11HJ-120	C.CAPACITOR	12PF 5% 50V	
C 652	QCS11HJ-150	C.CAPACITOR	15PF 5% 50V	
C 653	QCBBIHK-223	C.CAPACITOR	.022MF +80%-20%	
C 655	QCC11EM-473V	C.CAPACITOR	.047MF 20% 25V	
C 661	QCBBIHK-471Y	C.CAPACITOR	470PF 10% 50V	
C 662	QCBBIHK-223	C.CAPACITOR	.022MF +80%-20%	
C 663	QFN81HJ-223	M CAPACITOR	.022MF 5% 50V	
C 664	QCBBIHK-223	C.CAPACITOR	.022MF +80%-20%	
C 665	QFV71HJ-334ZM	FILM CAPACITOR	.33MF 5% 50V	
C 671	QCXB1CM-152Y	C.CAPACITOR	1500PF 20% 16V	
C 672	QCXB1CM-152Y	C.CAPACITOR	1500PF 20% 16V	
C 673	QTE1C05-227	E CAPACITOR	.022MF +80%-20%	
C 674	QCBBIHK-223	C.CAPACITOR	AG-DG	
C 675	QCBBIHK-102Y	C.CAPACITOR	AG-DG	
C 676	QCBBIHK-102Y	C.CAPACITOR	DENGEN NOISE	
C 691	QCBBIHK-151Y	C.CAPACITOR	DENGEN NOISE	
C 692	QCBBIHK-151Y	C.CAPACITOR	DENGEN NOISE	
C 693	QCBBIHK-151Y	C.CAPACITOR	DENGEN NOISE	
CN601	EMV7144-015R	15PIN CONNECTOR	TO RF	
CN603	VMC0163-R07	CONNECTOR	TO AUDIO	
CN604	VMC0163-R11	CONNECTOR	TO MICRON	
CN605	VMC0041-003	CONNECTOR	TO DIGITAL OUT	
D 661	1SS133	SI DIODE		
IC601	AN8806SB	IC	RF AMP	
IC602	BA6897FPW	IC	DRIVER	
IC603	MN35310	IC	1CHIP PROCESSER	
Q 601	2SA952(L-K)	TRANSISTOR		
Q 631	2SA952(L-K)	TRANSISTOR		
R 601	QRD161J-123	CARBON RESISTOR	12K 5% 1/6W	
R 603	QRD161J-125	CARBON RESISTOR	1.2M 5% 1/6W	
R 605	QRD161J-134	C.RESISTOR	130K 5% 1/6W	

BLOCK NO. 03111111

A REF.	PARTS NO.	PARTS NAME	REMARKS	SUFFIX
R 606	QRD161J-913	CARBON RESISTOR	91K 5% 1/6W	
R 607	QRD161J-273	CARBON RESISTOR	27K 5% 1/6W	
R 609	QRD161J-114	C.RESISTOR	110K 5% 1/6W	
R 610	QRD161J-154	CARBON RESISTOR	150K 5% 1/6W	
R 612	QRD161J-103	CARBON RESISTOR	10K 5% 1/6W	
R 613	QRD161J-121	CARBON RESISTOR	120 5% 1/6W	
R 614	QRD161J-100	CARBON RESISTOR	10 5% 1/6W	
R 615	QRD161J-120	CARBON RESISTOR	12 5% 1/6W	
R 616	QRD161J-910Y	CARBON RESISTOR	91 5% 1/6W	
R 621	QRD161J-330	CARBON RESISTOR	33 5% 1/6W	
R 622	QRD161J-330	CARBON RESISTOR	33 5% 1/6W	
R 623	QRD161J-330	CARBON RESISTOR	33 5% 1/6W	
R 631	QRD161J-331	CARBON RESISTOR	330 5% 1/6W	
R 632	QRD161J-101	CARBON RESISTOR	100 5% 1/6W	
R 633	QRD161J-273	CARBON RESISTOR	27K 5% 1/6W	
R 641	QRD161J-563	CARBON RESISTOR	56K 5% 1/6W	
R 642	QRD161J-123	CARBON RESISTOR	12K 5% 1/6W	
R 643	QRD161J-822	CARBON RESISTOR	8.2K 5% 1/6W	
R 644	QRD161J-223	CARBON RESISTOR	22K 5% 1/6W	
R 645	QRD161J-223	CARBON RESISTOR	22K 5% 1/6W	
R 646	QRD161J-182	CARBON RESISTOR	1.8K 5% 1/6W	
R 647	QRD161J-562	CARBON RESISTOR	5.6K 5% 1/6W	
R 651	QRD161J-102	CARBON RESISTOR	1.0K 5% 1/6W	
R 652	QRD161J-102	CARBON RESISTOR	1.0K 5% 1/6W	
R 653	QRD161J-102	CARBON RESISTOR	1.0K 5% 1/6W	
R 654	QRD161J-102	CARBON RESISTOR	1.0K 5% 1/6W	
R 655	QRD161J-471	CARBON RESISTOR	470 5% 1/6W	
R 659	QRD161J-471	CARBON RESISTOR	470 5% 1/6W	
R 661	QRD161J-104	CARBON RESISTOR	100K 5% 1/6W	
R 663	QRD161J-124	CARBON RESISTOR	120K 5% 1/6W	
R 664	QRD161J-681	CARBON RESISTOR	680 5% 1/6W	
R 666	QRD161J-220	CARBON RESISTOR	22 5% 1/6W	
R 671	QRD161J-102	CARBON RESISTOR	1.0K 5% 1/6W	
R 672	QRD161J-102	CARBON RESISTOR	1.0K 5% 1/6W	
X 651	VCX5016-934V	CRYSTAL	16.9344MHZ	

10.Packing

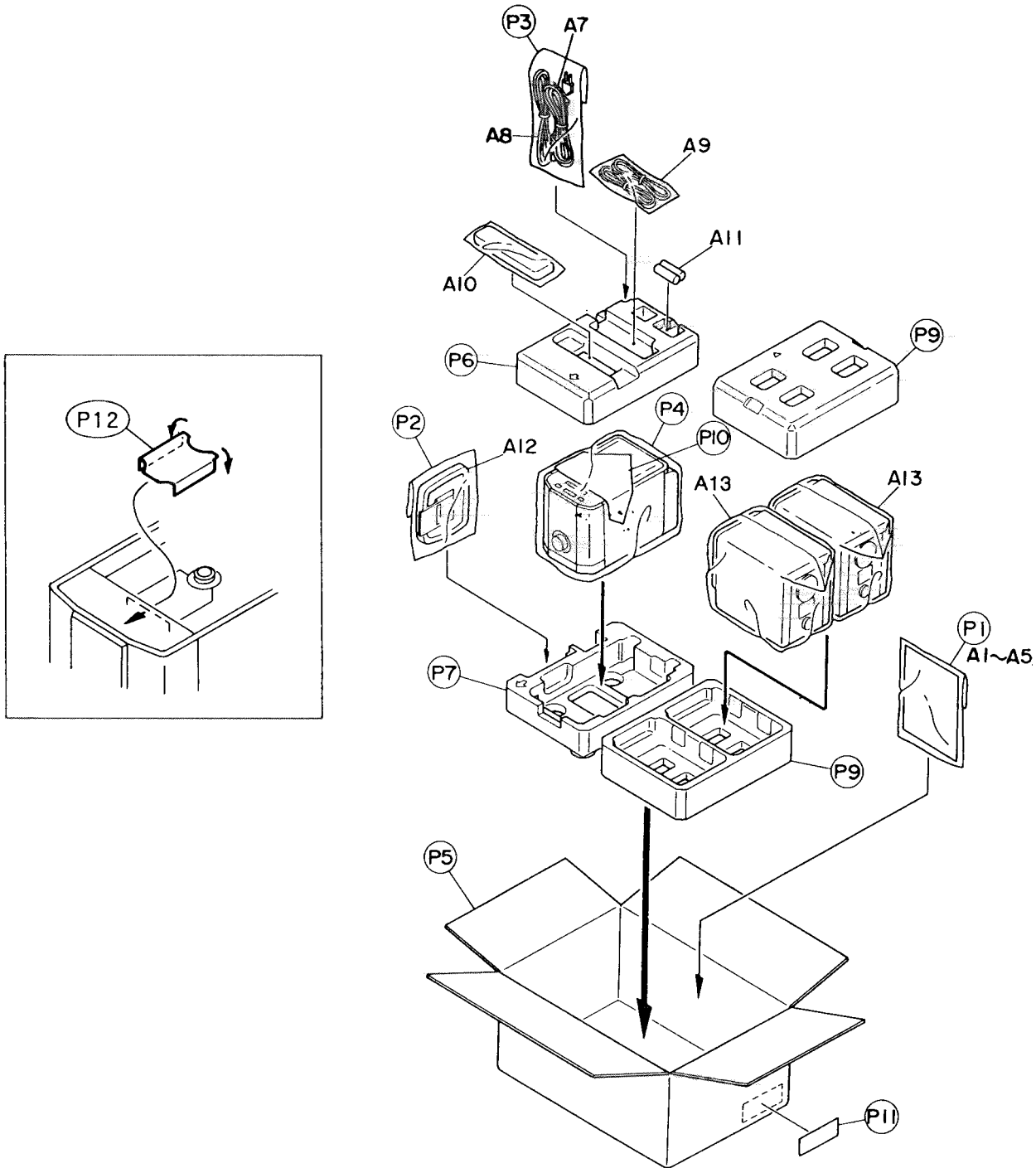


Fig.10-1

■ Packing Parts List

BLOCK NO. M3MM

REF.	PARTS NO.	PARTS NAME	REMARKS	QTY	SUFFIX	CLR
P 1	VPE3005-007	POLY BAG	FOR INSTRUCTION	1		
P 2	VPE3005-042	POLY BAG	FOR AM LOOP AN	1		
P 3	QPGA012-02505	POLY BAG	FOR POWER CORD	1		
P 4	VPE3020-018	POLY BAG	FOR DECK	1		
P 6	VPH1695-001	CUSHION	FOR DECK(TOP)	1		
P 7	VPH1695-002	CUSHION	FOR DECK(BOTTOM)	1		
P 9	VPH2481-001	SPK CUSHION	SERVIS PARTS	1		
P 10	VPK3001-012	SHEET	FOR DECK	1		
P 11	-----	CARTON LABEL		1		
P 12	VPK4236-010	SPACER		1		

■ Accessories

BLOCK NO. M4MM

REF.	PARTS NO.	PARTS NAME	REMARKS	QTY	SUFFIX	CLR
A 1	VNN9291-611C	INSTRUCTIONS		1		
A 2	BT-20047F	WARRANTY CARD		1	J	
	BT-52002-1	WARRANTY CARD		1	C	
A 3	BT-20137	SERVICE NETWORK		1	J	
	BT-20071B	SERVICE NETWORK		1	C	
A 4	VNA1003-002	USER CARD		1	J	
A 5	BT-20044G	SAFETY INST.		1		
A 7	QMP1F00-183	POWER CORD	POWER CORD	1		
A 8	EWP201-011D	B.IN ANT	FM ANT.	1		
A 9	VMP0133-101	SP.CORD SET UL		1		
A 10	VGRO055-501	REMOCON UNIT	RM-RMU2000R	1		
A 11	R6PRPA-2STSA	BATTERY	FOR REMOCON	2		
A 12	EQB4001-015	AM LOOP ANT	AM ANT.	1		
A 13	UX1000K-SPBOX	SPEAKER BOX		1		
SVP 1	VYT8430	SPEAKER NET	SERVIS PARTS	1		
SVP 2	VGS0801-010	CONE SPEAKER	SERVIS PARTS	1		


FS-1000GR CJ

JVC

VICTOR COMPANY OF JAPAN LIMITED

AUDIO PRODUCTS DIVISION 10-1, 1-chome, Ohwatari-machi, Maebashi-city, Japan

(No.10017)

 Printed in Japan
-H0811-V-